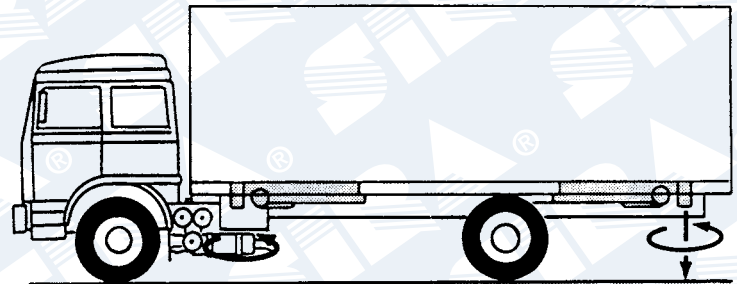


COMPONENTS FOR SUPPORT LEGS

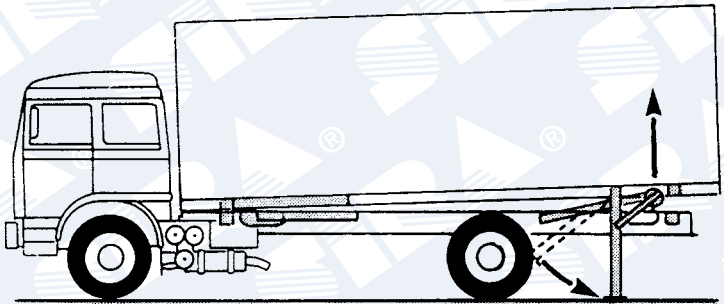
Schneider system - according to the DIN rules

Operations for moving a body truck to grounding

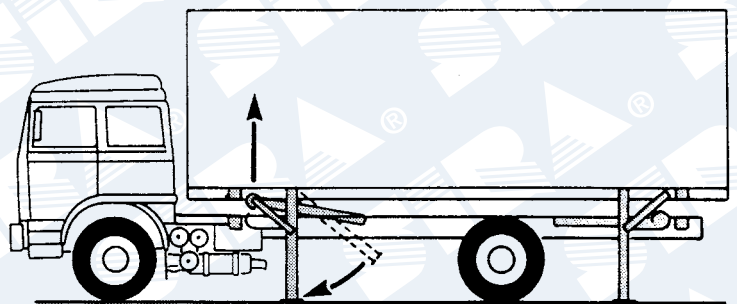
Release unscrewing front and rear twist-lock



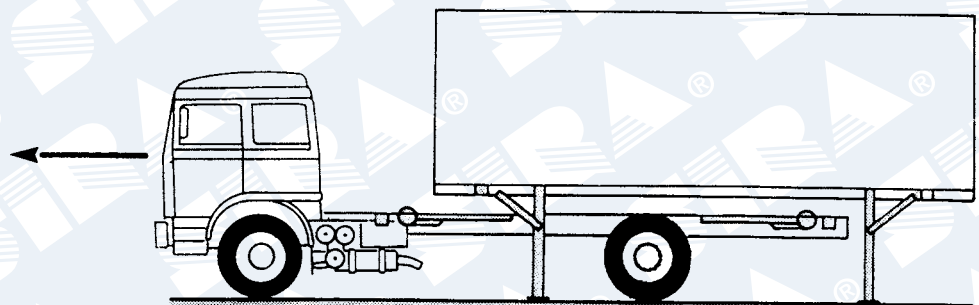
Remove the safety device to the supporting leg. Rotate downward until the perfect placement. Operate by pneumatic lifting rear.



Repeat the steps as above in the front side.



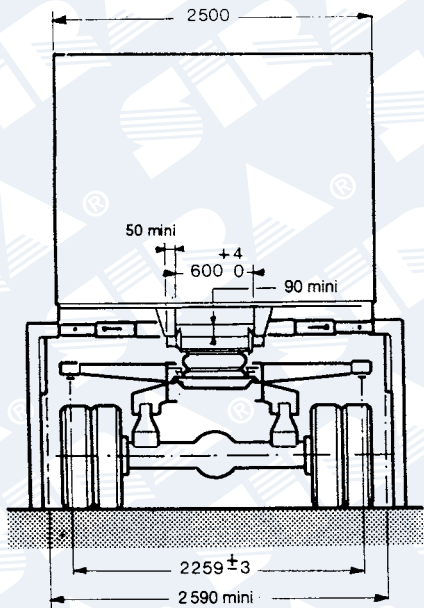
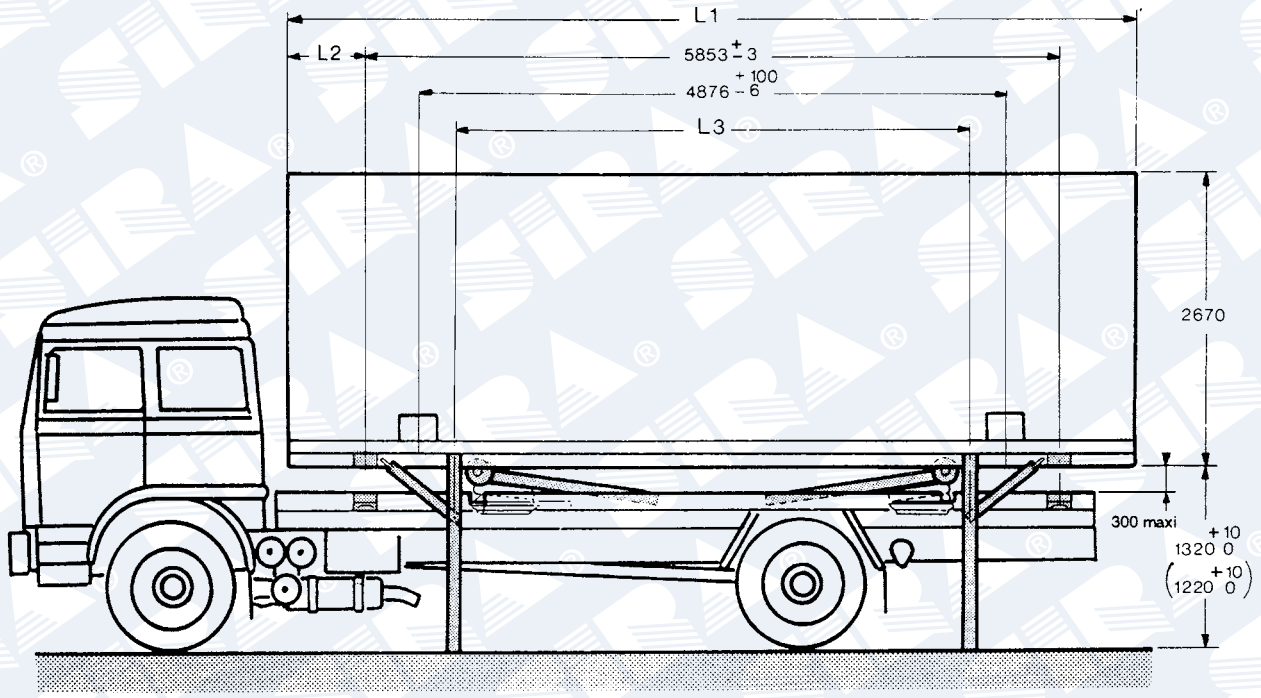
*End operation.
The vehicle can exit.*



COMPONENTS FOR SUPPORT LEGS

Schneider system - according to the DIN rules

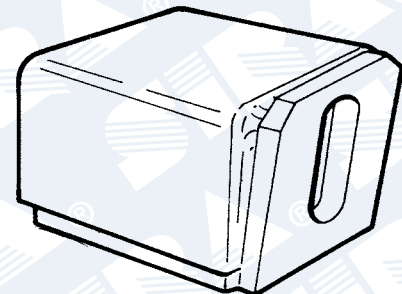
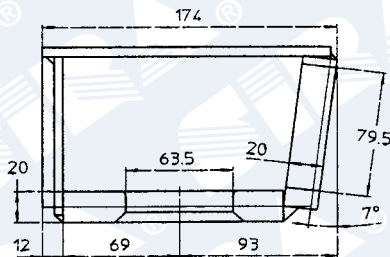
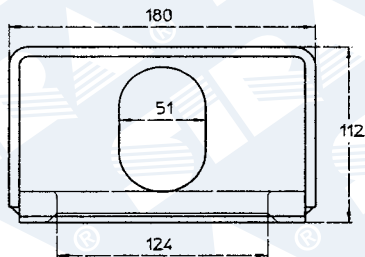
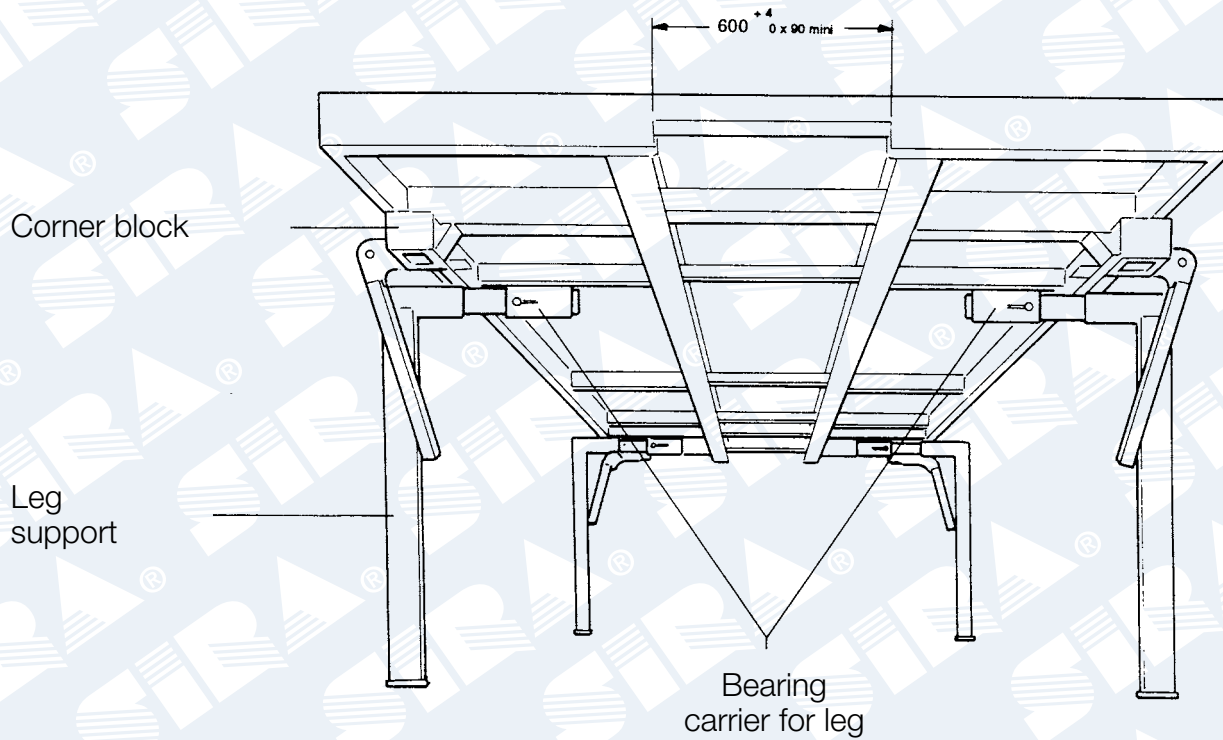
Main dimensions for loading platform according to regulations



L1 (mm)	L2 (mm)	L3 (mm)
7 150 - $\frac{0}{20}$	648,5 - $\frac{0}{3}$	4 354 + $\frac{5}{-}$
7 420 - $\frac{0}{20}$	783,5 - $\frac{0}{3}$	5 523 + $\frac{5}{-40}$
7 820 - $\frac{0}{20}$	983,5 - $\frac{0}{3}$	5 523 + $\frac{5}{-40}$

COMPONENTS FOR SUPPORT LEGS

Schneider system - according to the DIN rules Provision of details on the frame of loading platform



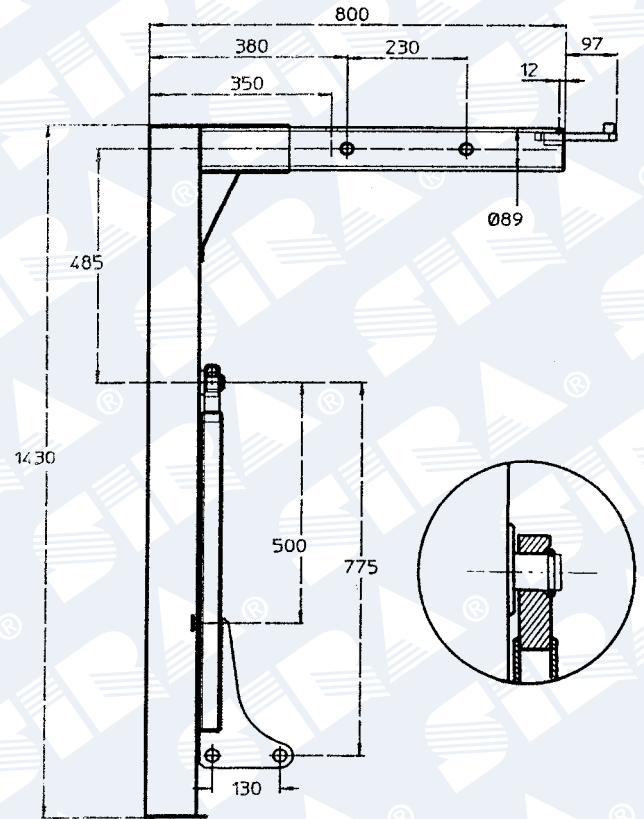
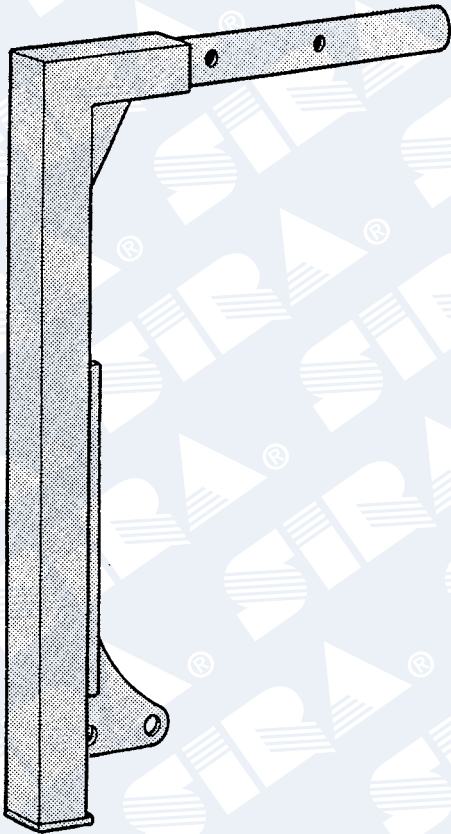
CORNER BLOCK TILTED

W 20070

7,20 kg

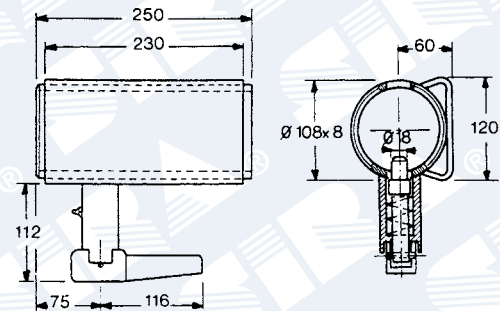
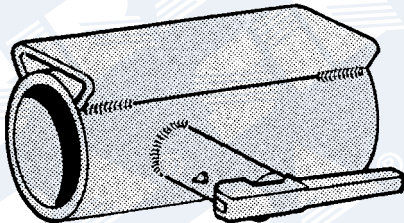
COMPONENTS FOR SUPPORT LEGS

Schneider system - according to the DIN rules



SUPPORT LEG WITH PROP

W 20000
Capacity 16 t 41 kg



BEARING CARRIER
ON RIGHT LEG

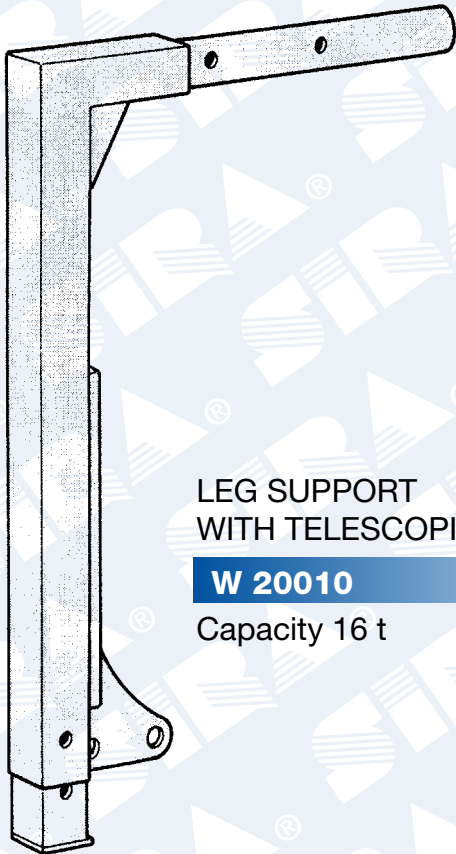
W 20040
8,10 kg

BEARING CARRIER
ON LEFT LEG

W 20030
8,10 kg

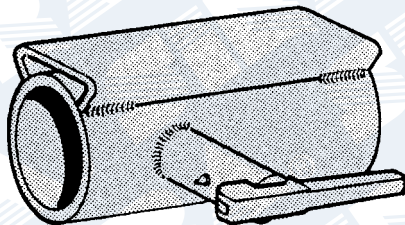
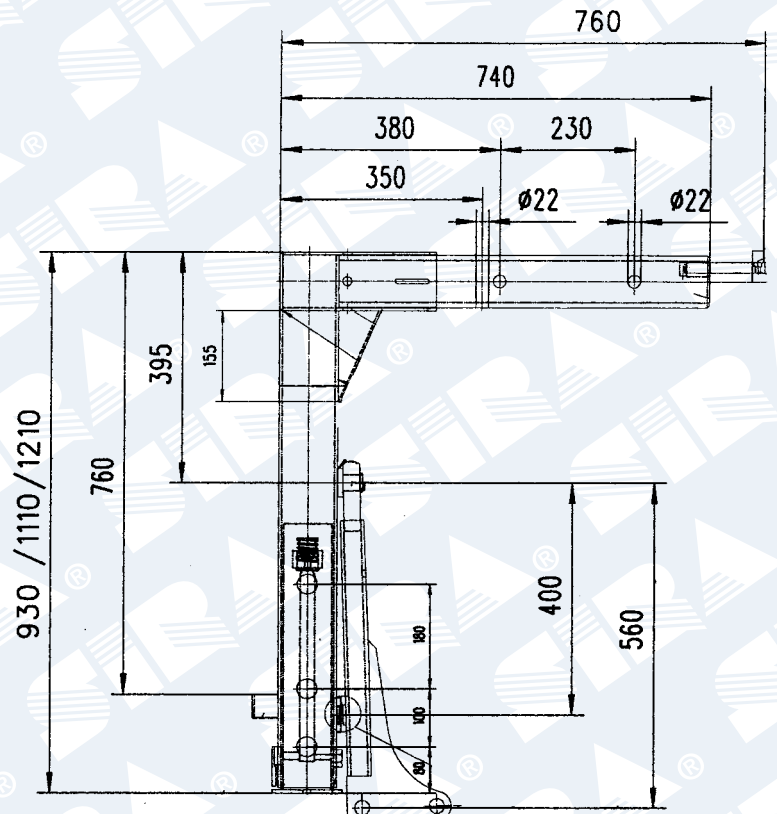
COMPONENTS FOR SUPPORT LEGS

Schneider system - according to the DIN rules



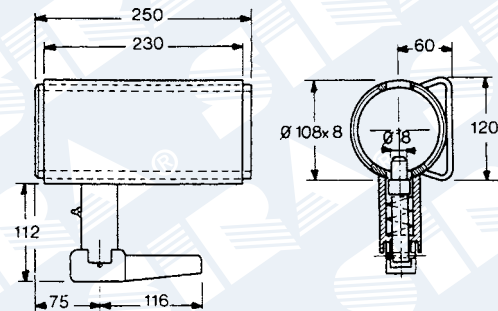
LEG SUPPORT WITH TELESCOPIC PROP

W 20010
Capacity 16 t 43 kg



BEARING CARRIER ON RIGHT LEG

W 20040
8,10 kg

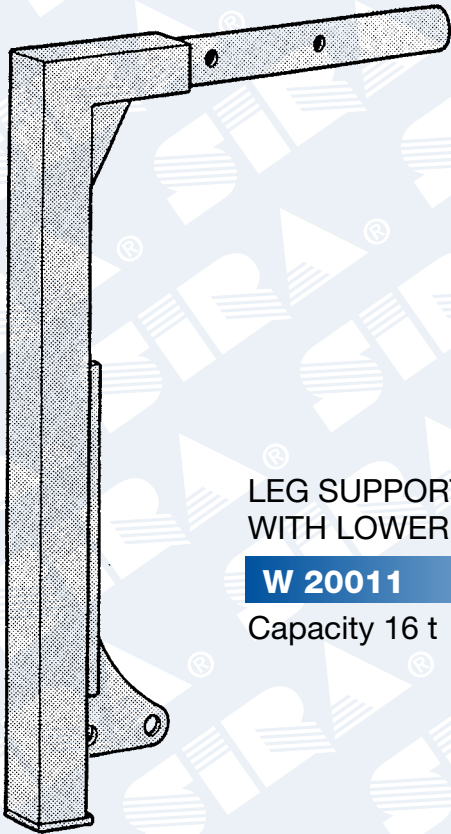


BEARING CARRIER ON LEFT LEG

W 20030
8,10 kg

COMPONENTS FOR SUPPORT LEGS

Schneider system - according to the DIN rules

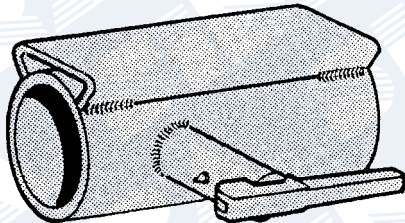
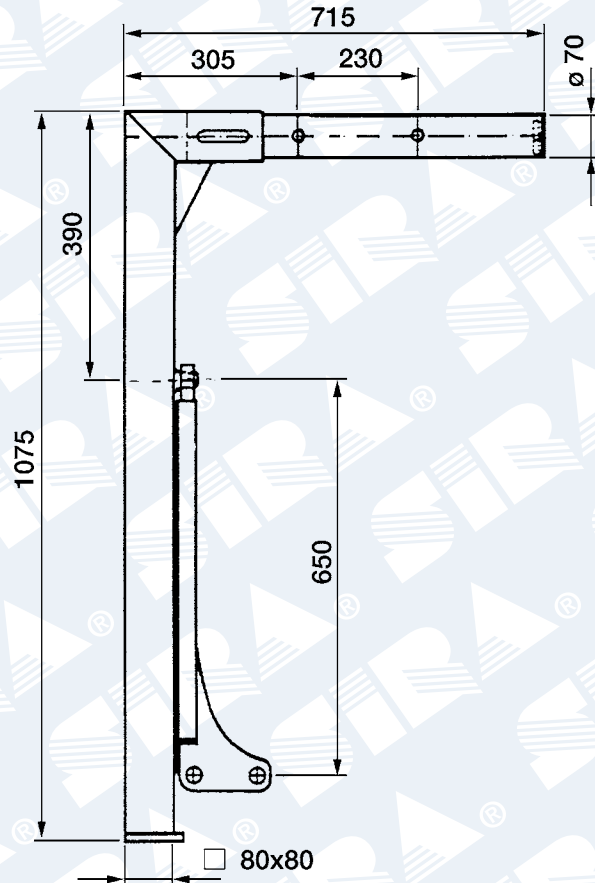


LEG SUPPORT
WITH LOWER PROP

W 20011

Capacity 16 t

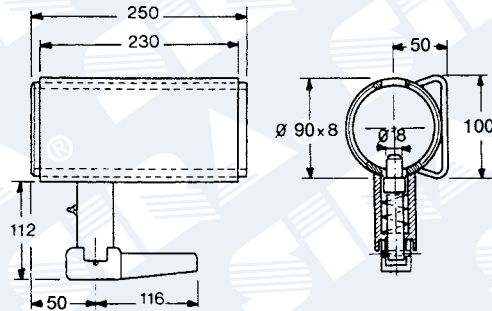
37 kg



BEARING CARRIER
ON RIGHT LEG

W 20012

6,60 kg



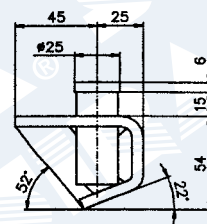
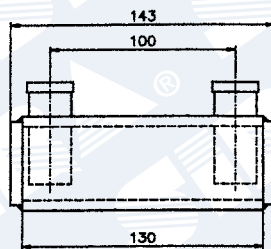
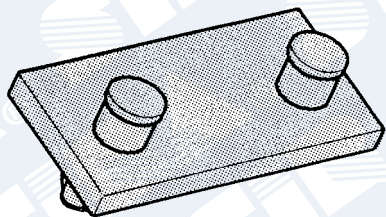
BEARING CARRIER
ON LEFT LEG

W 20013

6,60 kg

COMPONENTS FOR SUPPORT LEGS

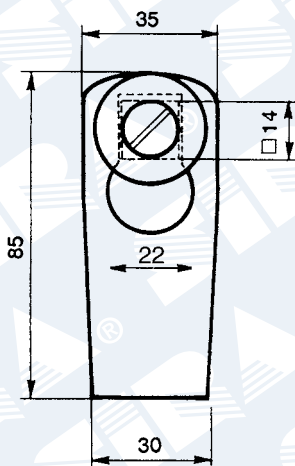
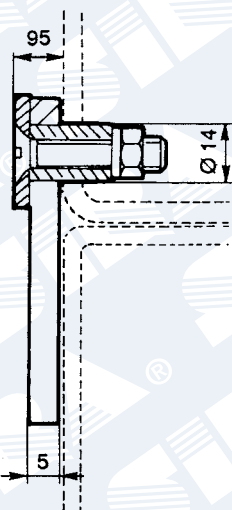
Schneider system - according to the DIN rules



SUPPORT PLATE WITH PINS

W 20050

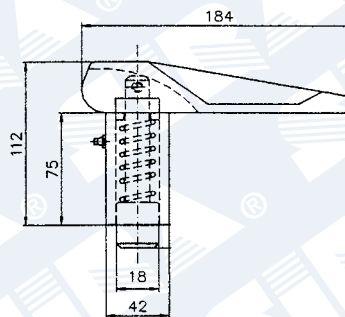
1,15 kg



FRAME LATCH WITH 2nd SECURITY DEVICE

W 20080

0,15 kg



HANDLE SPARE PART WITH BEARING

W 20190

1,40 kg

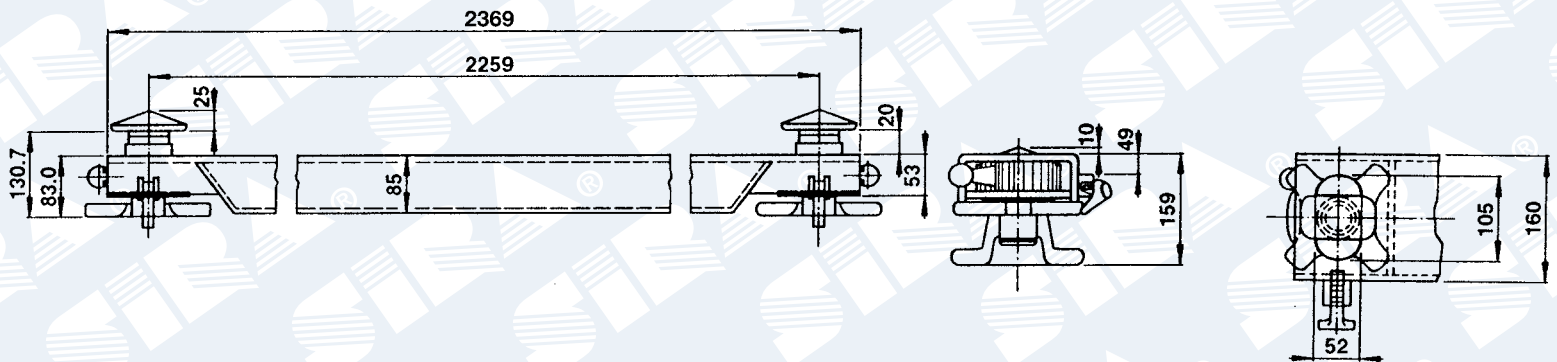
COMPONENTS FOR SUPPORT LEGS

Schneider system - according to the DIN rules

Combi-bolster with twist locks

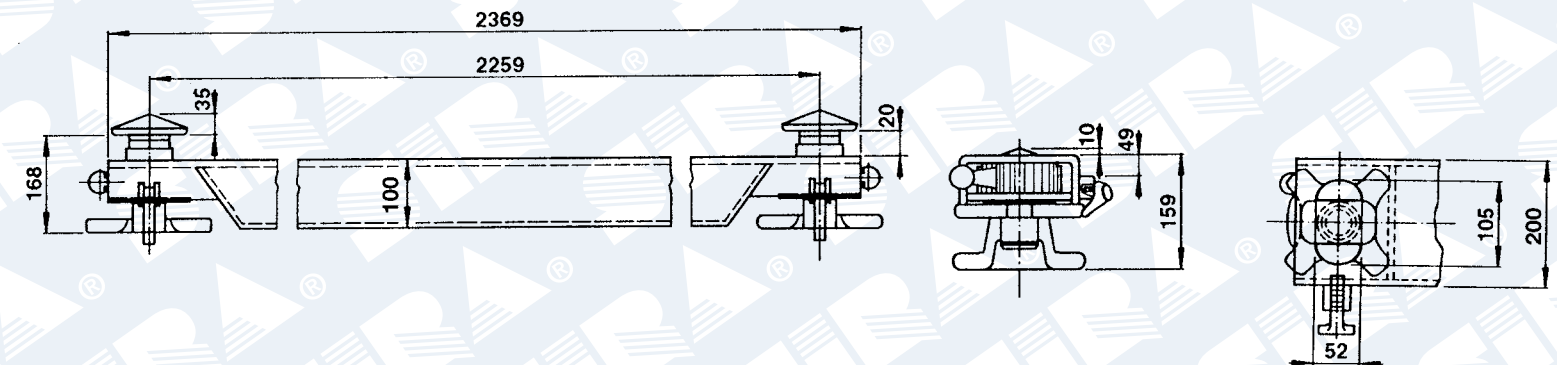
CROSS BAR FOR MOVING LOWER THE LOADING PLATFORM

W 20201
Capacity 18 t 70 kg



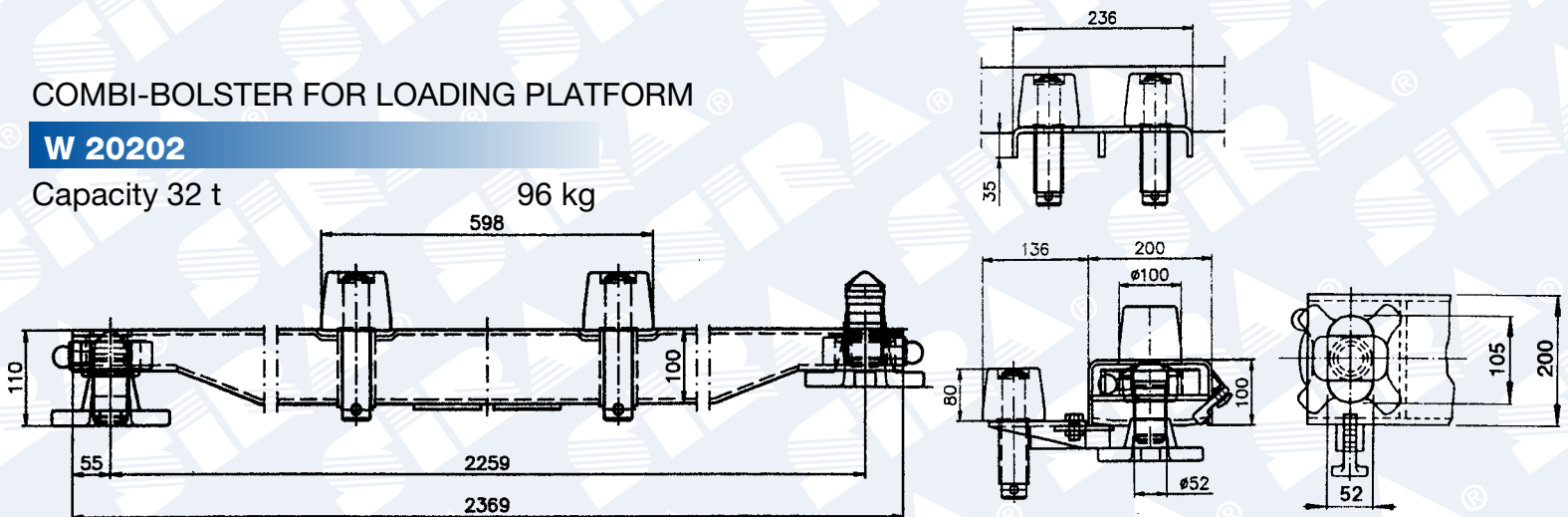
COMBI-BOLSTER FOR LOADING PLATFORM

W 20203
Capacity 32 t 80 kg



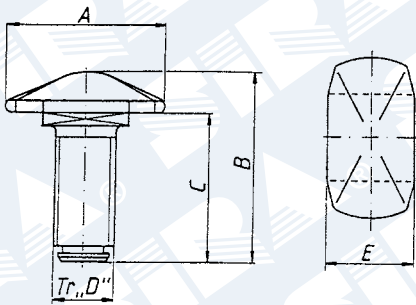
COMBI-BOLSTER FOR LOADING PLATFORM

W 20202
Capacity 32 t 96 kg



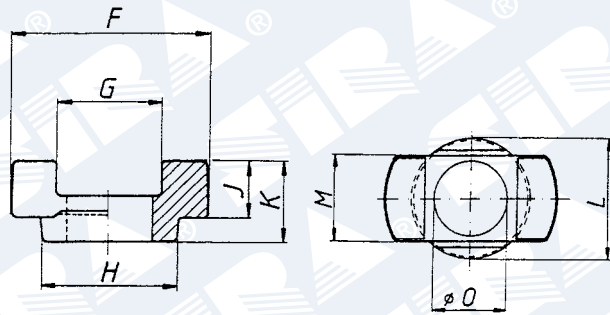
COMPONENTS FOR SUPPORT LEGS

Various components Parts for twist lock and cross bars Schneider



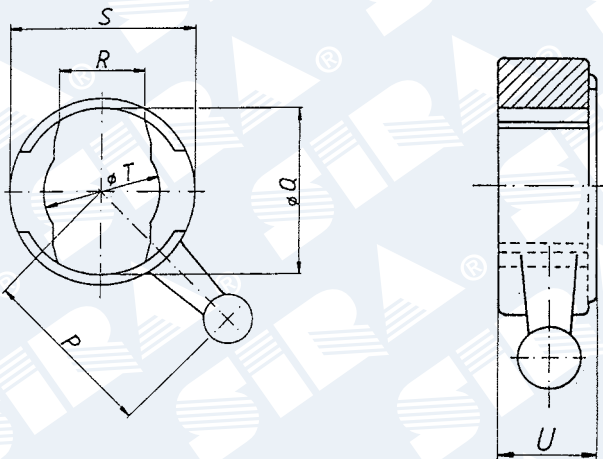
PIN TIGHTENER

ARTICLE	A mm	B mm	C mm	D _{TR} mm	E mm	FOR ARTICLE
W 20214	97	155	120	38x4	47	W 20130
W 20204	99	129	104	52x5	54	W 20201 W 20203 W 20131



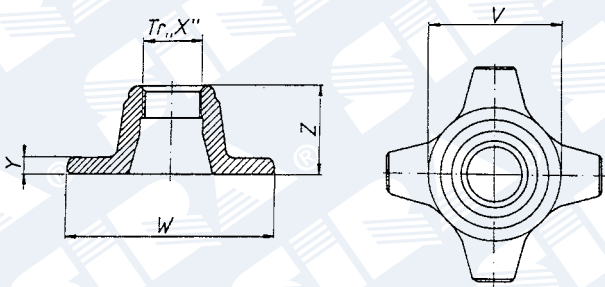
GUIDE PIECE

ARTICLE	F mm	G mm	H mm	J mm	K mm	L mm	M mm	O mm	FOR ARTICLE
W 20215	95	56	66	42	60	67	56	43	W 20130
W 20205	99	57	84	29	39	85	59	55	W 20201 W 20203 W 20131



RETAINING RING

ARTICLE	P mm	Q mm	R mm	S mm	T mm	U mm	FOR ARTICLE
W 20216	106	100	50	113	70	58	W 20130
W 20206	100	105	60	121	86	39	W 20201 W 20203 W 20131

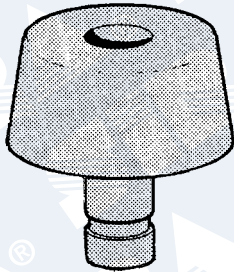


LOCKNUT

ARTICLE	V mm	W mm	X _{TR} mm	Y mm	Z mm	FOR ARTICLE
W 20217	82	132	38x4	20	82	W 20130
W 20207	83	170	52x5	21	66	W 20201 W 20203 W 20131

COMPONENTS FOR SUPPORT LEGS

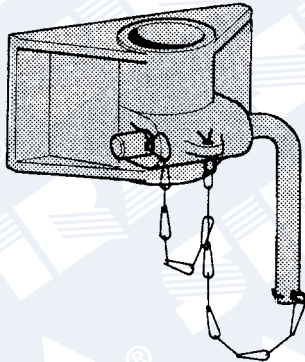
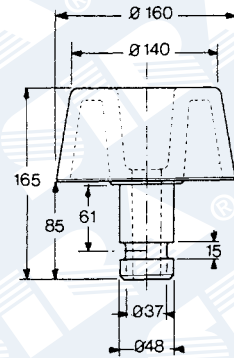
Schneider system - according to the DIN rules



STAINLESS STEEL GUIDE ROLLER

W 20100

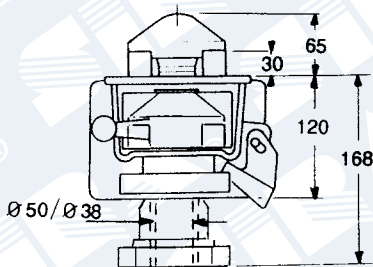
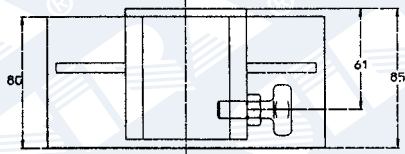
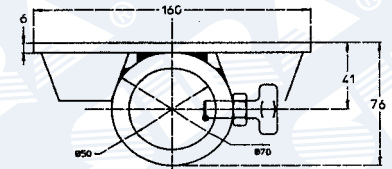
5,50 kg



BEARING FOR GUIDE ROLLER

W 20110

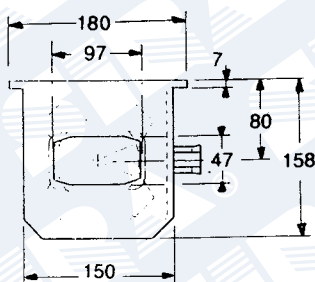
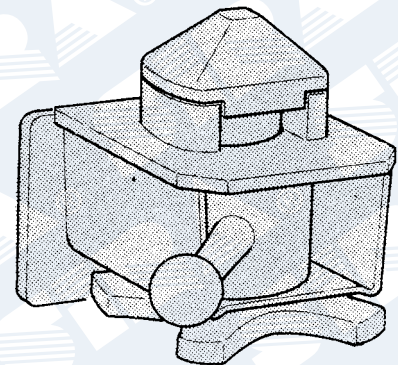
1,50 kg



ADJUSTABLE TWIST-LOCK PIN FROM 38 MM.

W 20130

9,50 kg



ADJUSTABLE TWIST-LOCK PIN FROM 50 MM.

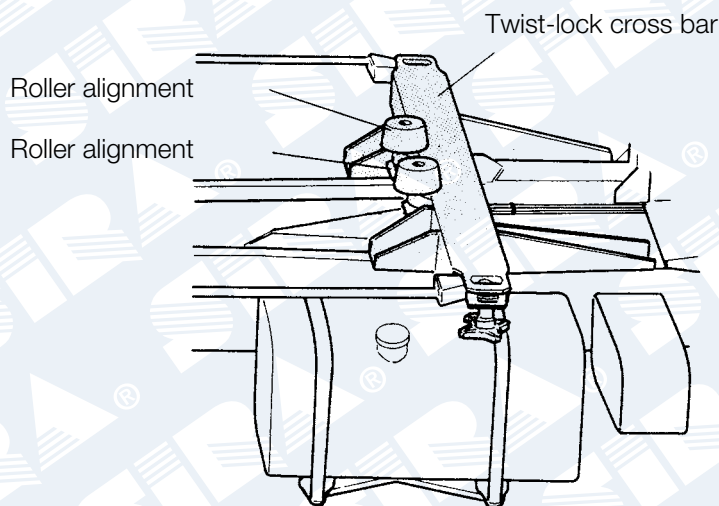
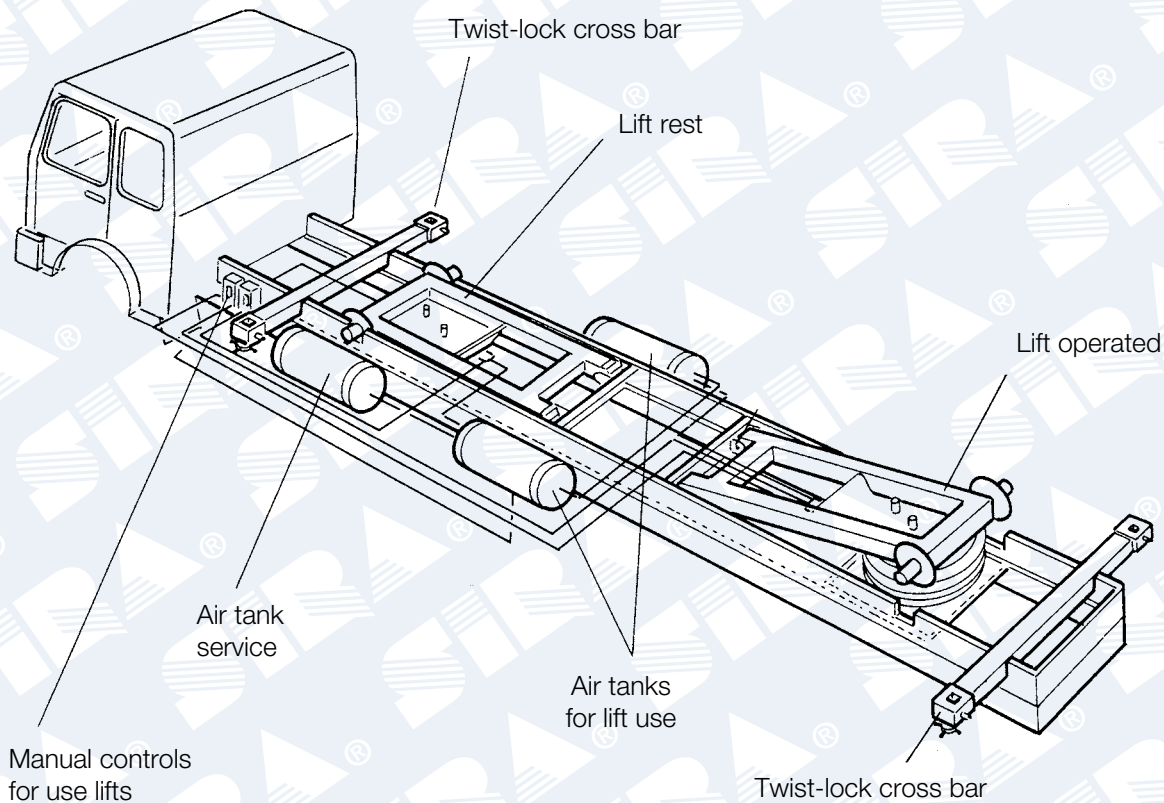
W 20131

9,60 kg

COMPONENTS FOR SUPPORT LEGS

Schneider system - according to the DIN rules

Provision of details on the chassis of a truck



COMPONENTS FOR SUPPORT LEGS

Schneider system - according to the DIN rules

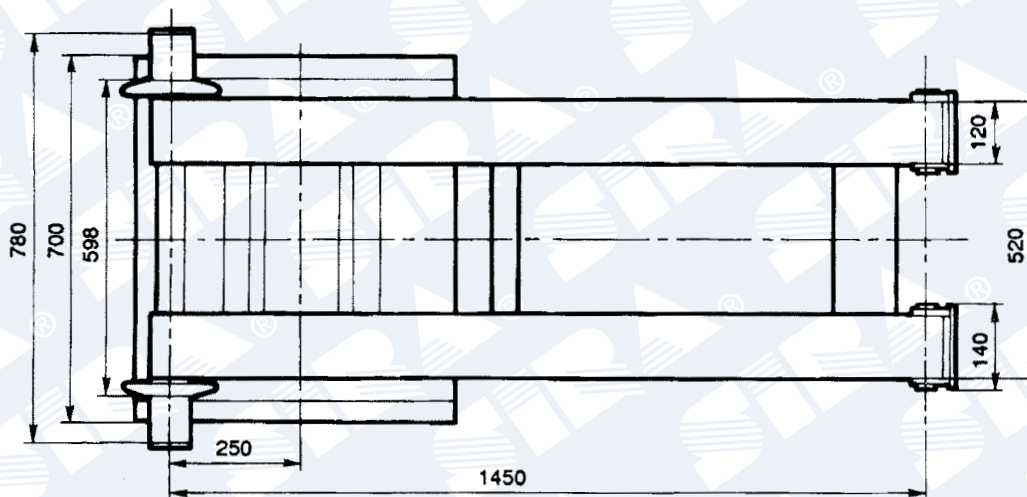
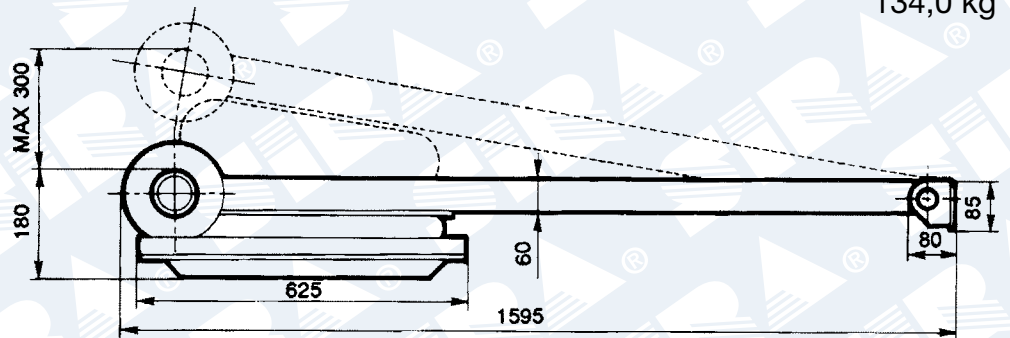
Lifting system for movable loading platform

LIFTING SYSTEM WITH COMPRESSED AIR
PRESSURE 8 BAR

LIFT FROM 10 t

W 20140

134,0 kg



The air tightness of the bellows of the lift 6 bar is controlled by the manufacturer. The cup which is bolted to the bellows must be welded to the frame of the vehicle, unmounting first the bellows. When welding occurred, the bellows must be replaced keeping it at 6 bar. The welding of the frame should be performed at wire movement (whether welding approximately 80 mm must be interspersed with stretches seamless approximately 100 mm).

COMPONENTS FOR SUPPORT LEGS

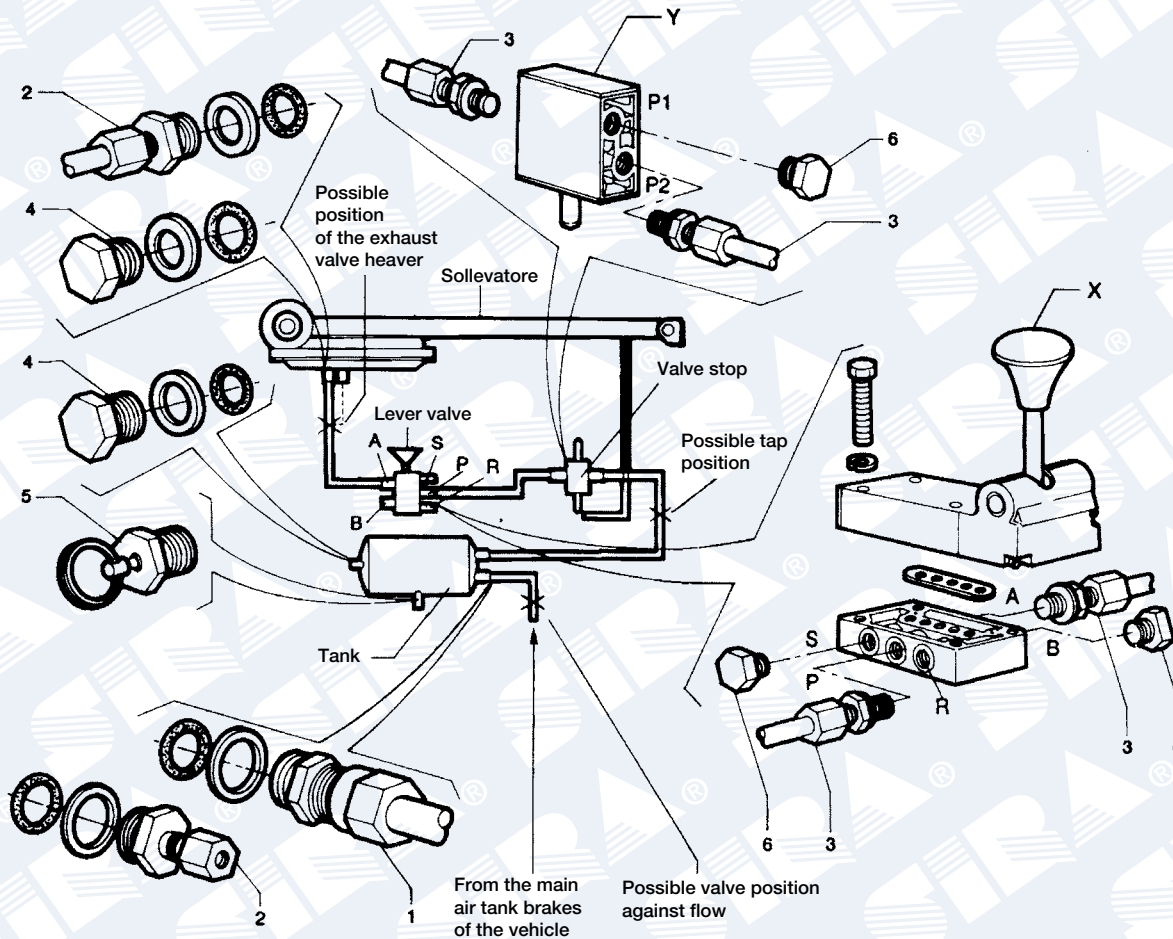
Schneider system - according to the DIN rules

Components for lifting loading platforms

KIT CONTROL UNIT

W 20150

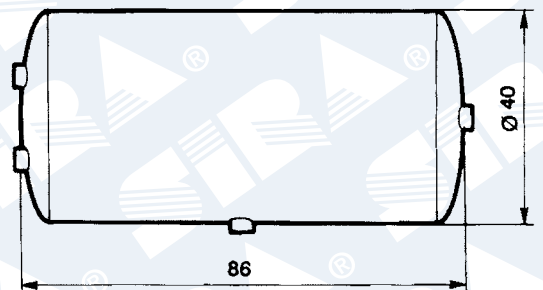
2,54 kg



AIR TANK 100 L

W 10160

33,50 kg

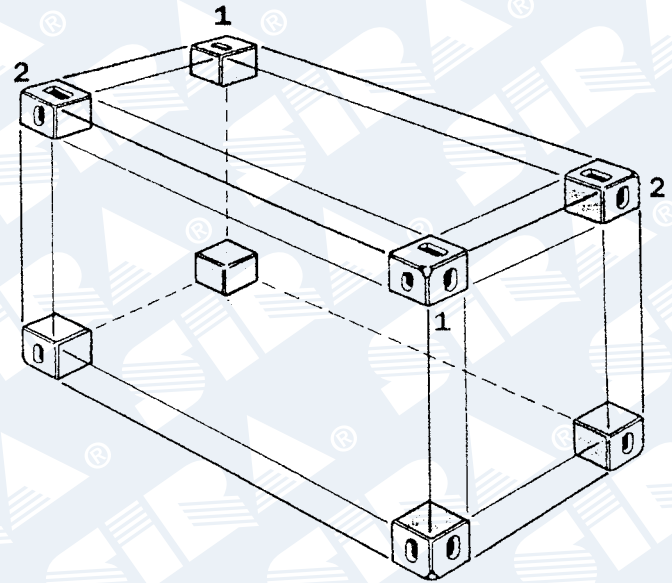
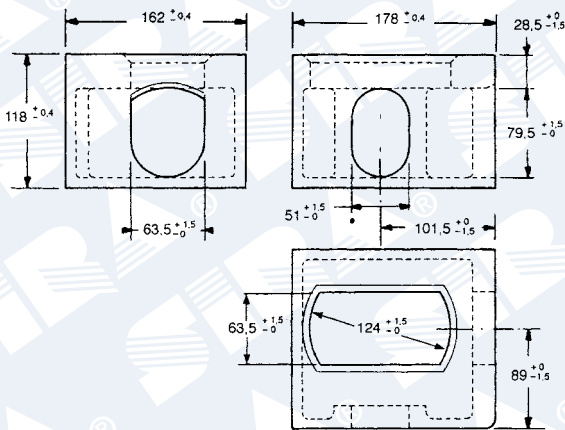
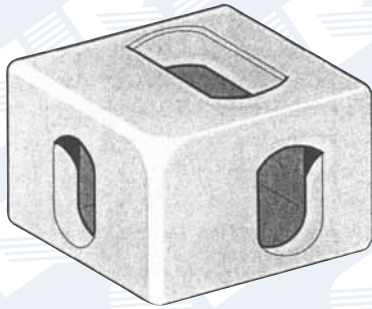


COMPONENTS FOR SUPPORT LEGS

Container berths

L 70221

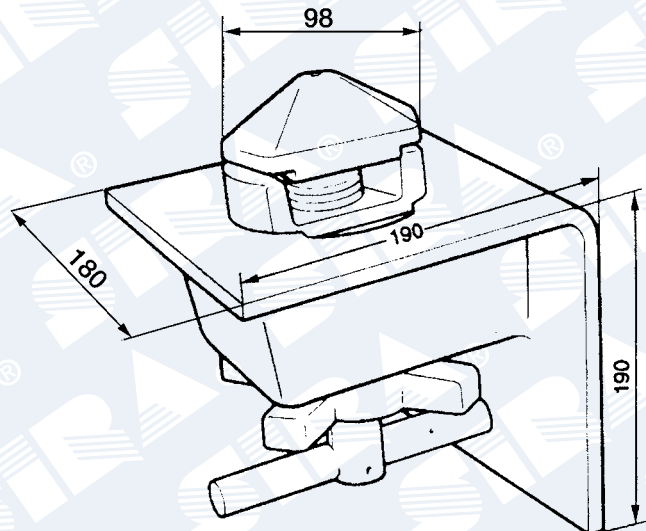
CORNER CONTAINER
in raw steel right and left side
12 kg



Top model, the front left and rear right sides.
Lower model, the front left and rear right sides.

L 70220

COMPLETELY RETRACTABLE AND
LOWERING TWIST-LOCK Kg. 12,6

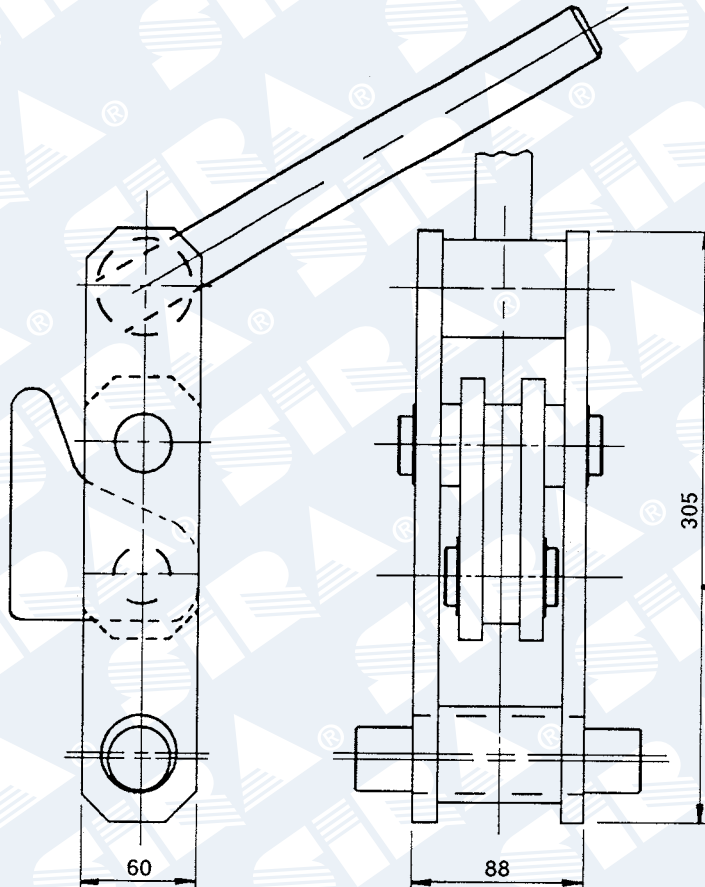


COMPONENTS FOR SUPPORT LEGS

Anchorage for movable loading platform

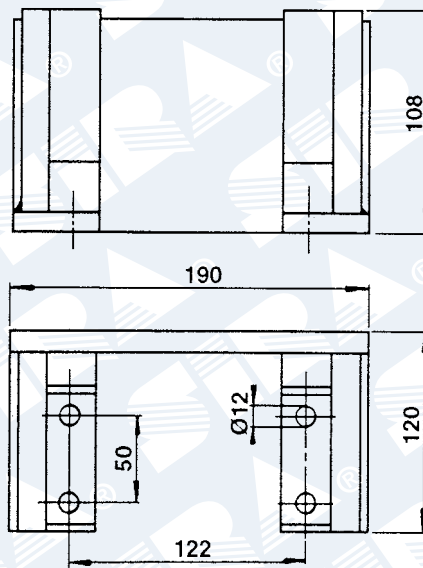
LOCKING DEVICE

W 10209



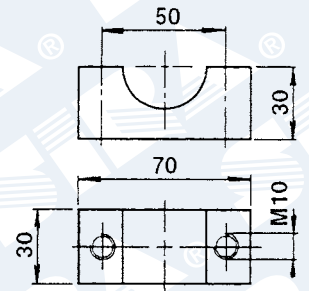
SUPPORT FOR KEEPER

W 10210



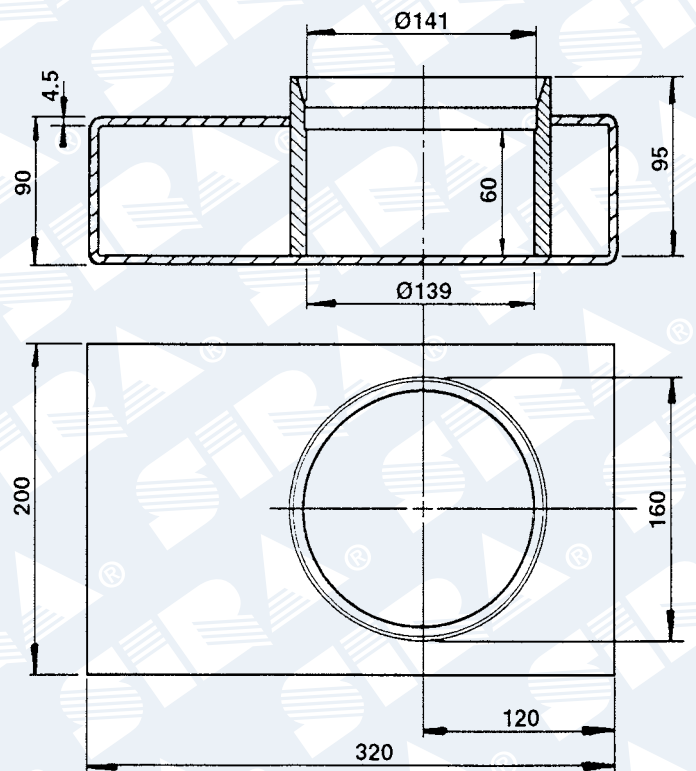
KEEPER

W 10211



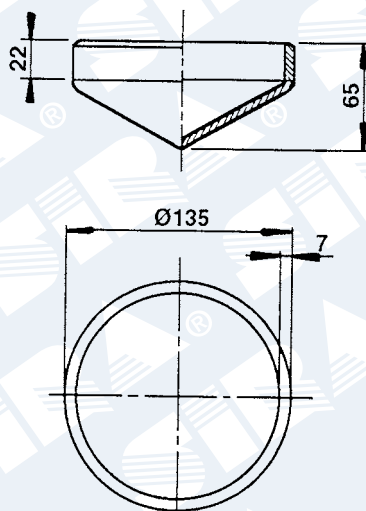
W 10212

CENTERING BOX



W 10213

PIN MALE



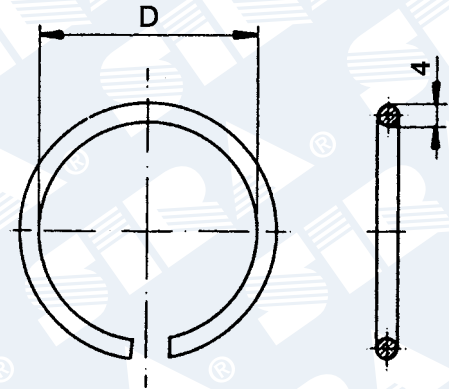
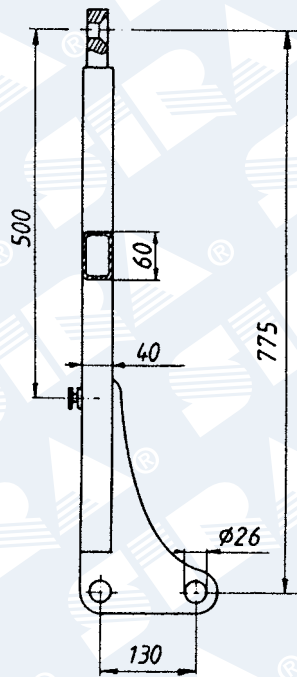
COMPONENTS FOR SUPPORT LEGS

Different components

SUPPORT LEG PROP WITHOUT BRAKE

W 20020

6,5 kg



SECURITY RING

ARTICLE	D mm	FOR ARTICLE
W 20180	26	W 20130
W 20218	26	W 20130
W 20208	41,5	W 20201 W 20203 W 20131

COMBI-BOLSTER WITH 2 GUIDE ROLLERS

W 20202

2,6 kg

9 kg

