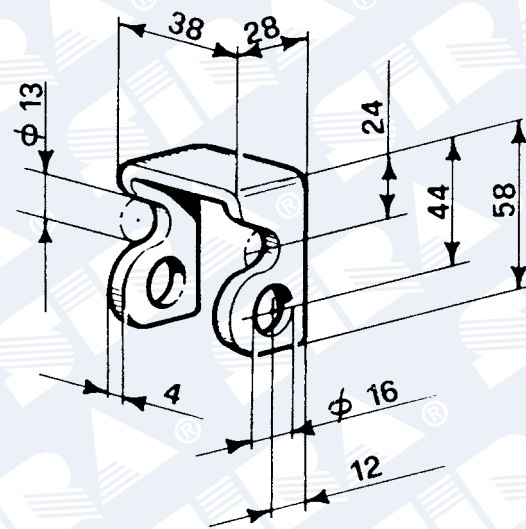
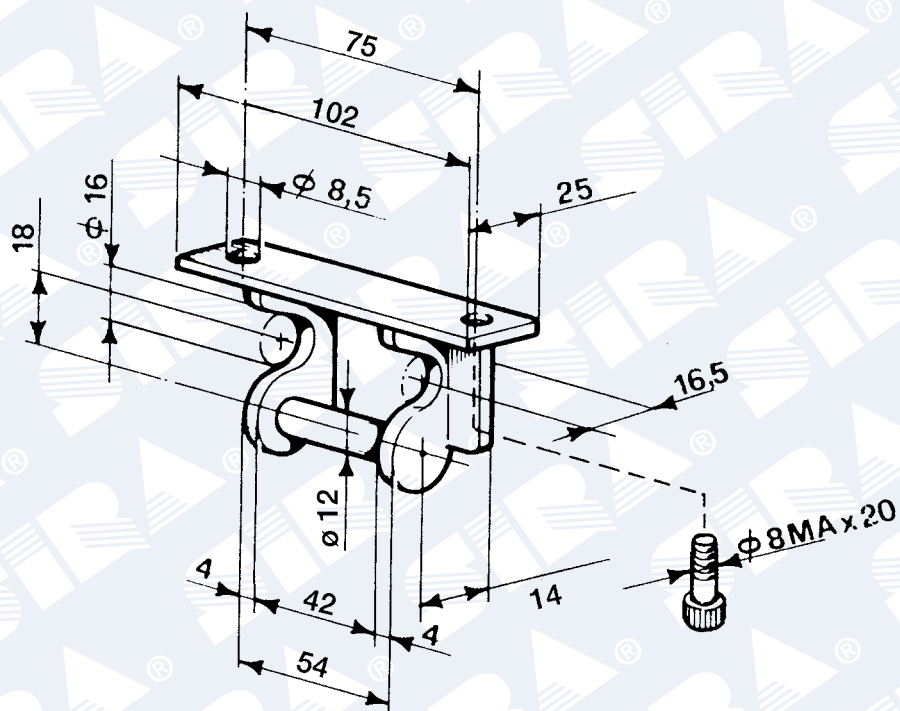


# COMPONENTS AND ACCESSORIES FOR FITTING TIPPERS

## Hinges for aluminium side boards



**M 15020**

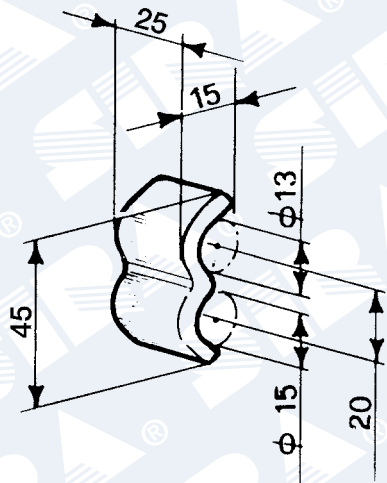
Raw light perforated support

**M 15010**

Zinc-plated light double opening hinge

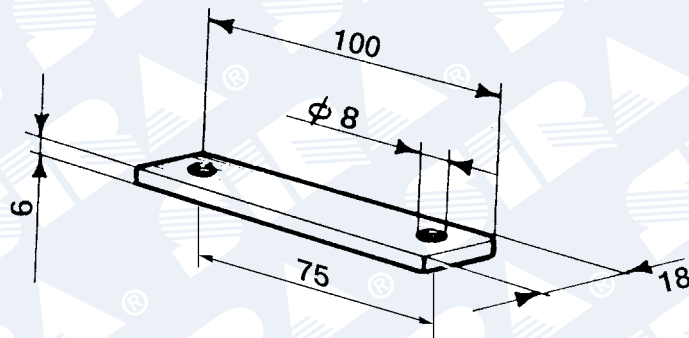
**X 40070**

Zinc-plated head cap screw 8x20



**M 15030**

Light raw locking plate

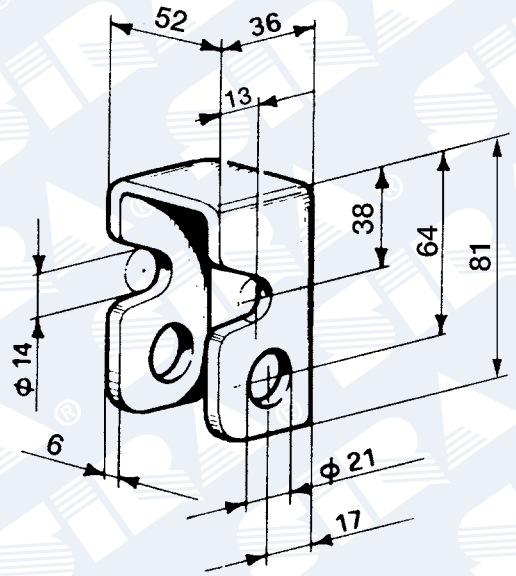
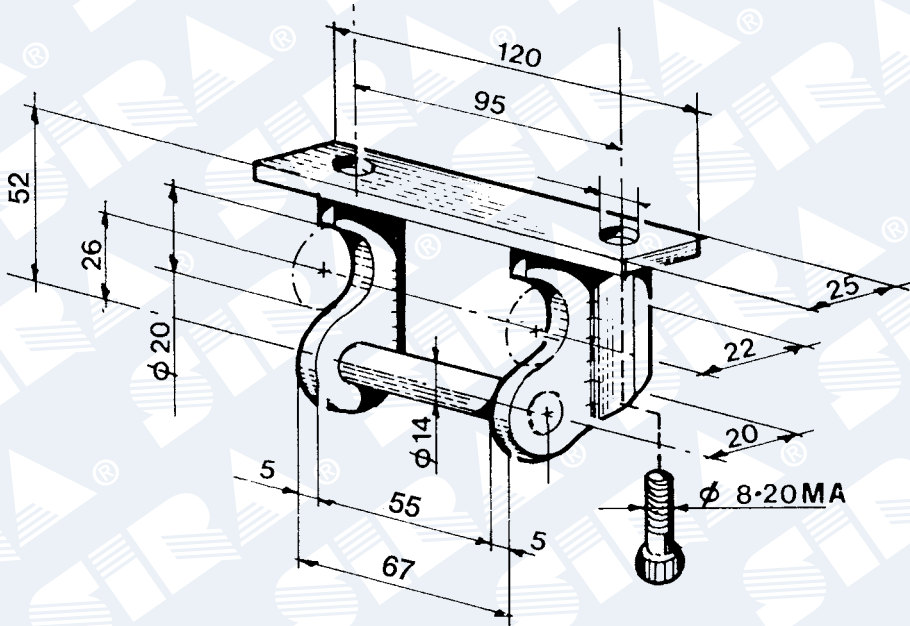


**M 15620**

Zinc-plated plate

# COMPONENTS AND ACCESSORIES FOR FITTING TIPPERS

## Hinges for aluminium side boards



**M 10101**

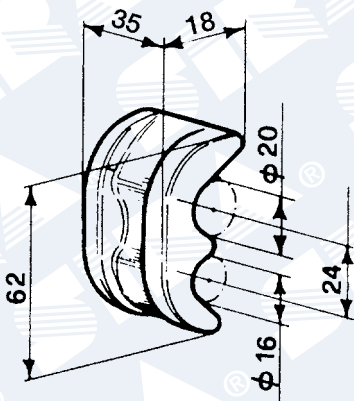
Zinc-plated heavy double opening hinge

**X 40070**

Zinc-plated head cap screw 8x20

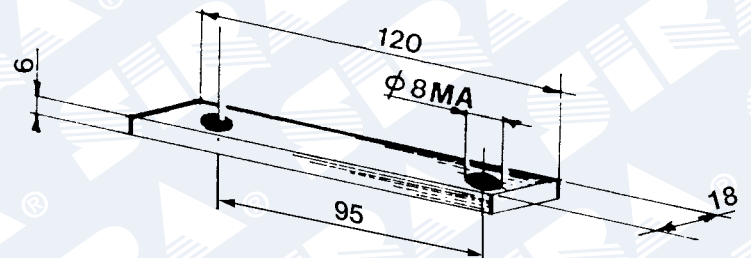
**M 35050**

Raw heavy perforated support



**M 40080**

Light raw locking plate

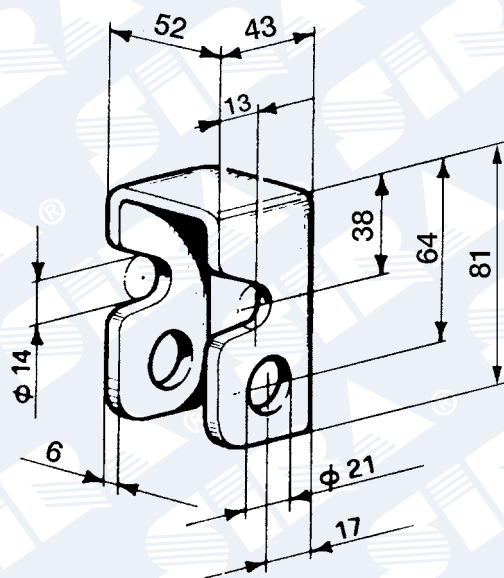
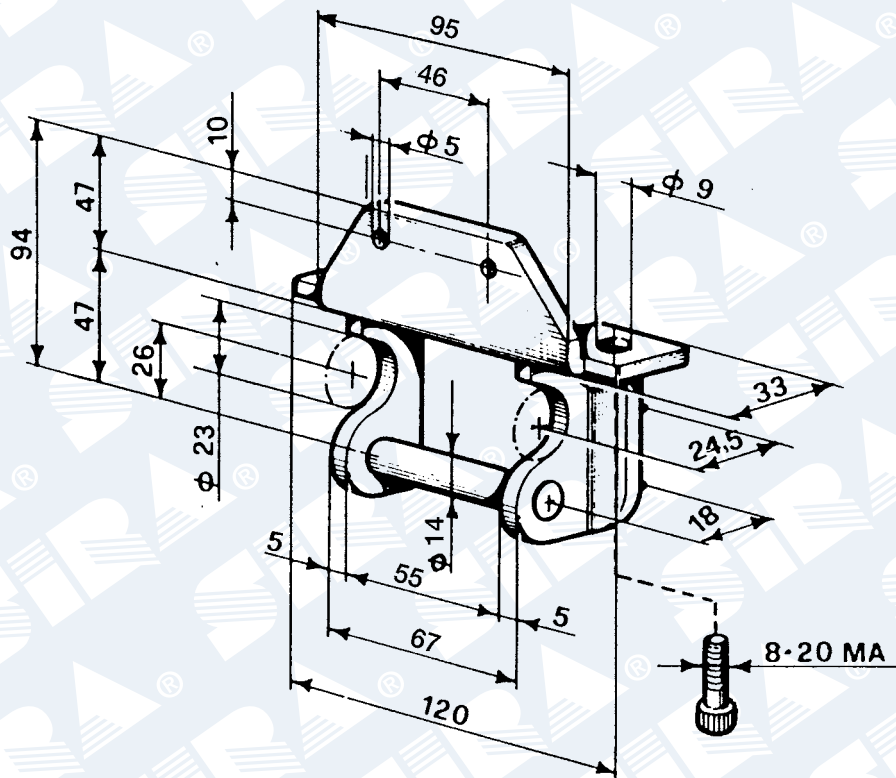


**M 15550**

Zinc-plated plate

# COMPONENTS AND ACCESSORIES FOR FITTING TIPPERS

## Hinges for aluminium side boards



**M 10100**

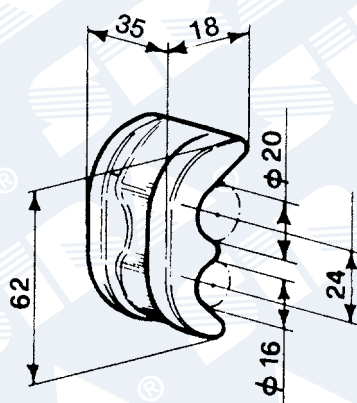
Zinc-plated double opening hinge for TR5

**X 40070**

Zinc-plated head cap screw 8x20

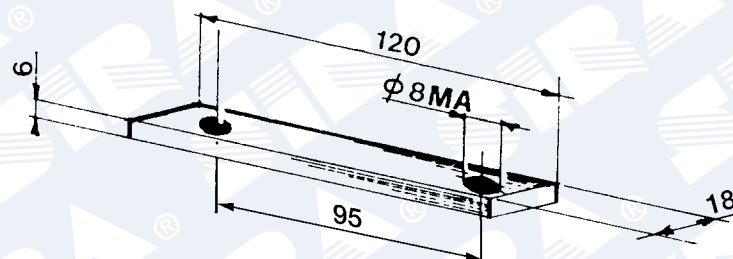
**M 35040**

Raw heavy perforated support



**M 40080**

Light raw locking plate

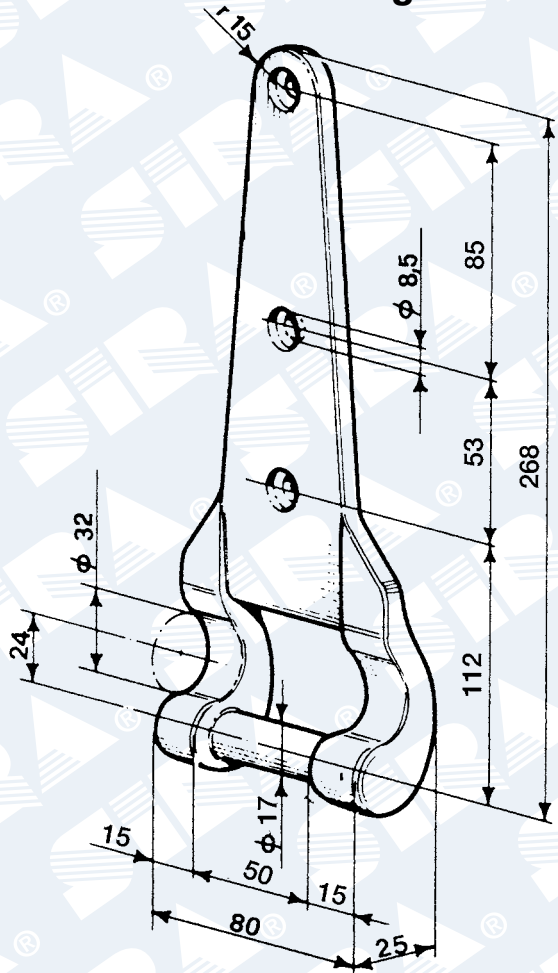


**M 15550**

Zinc-plated plate

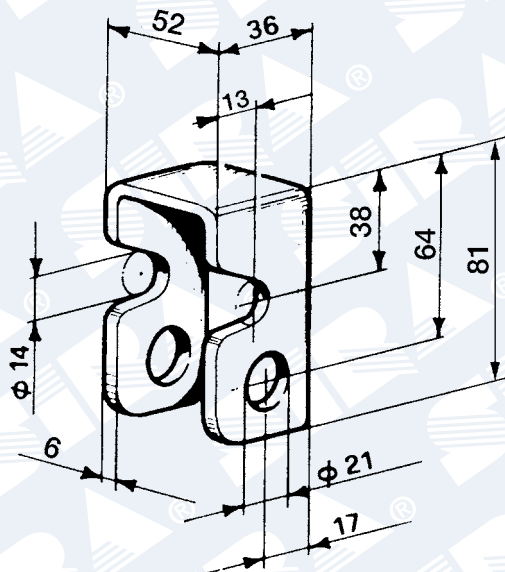
# COMPONENTS AND ACCESSORIES FOR FITTING TIPPERS

## Hinges for aluminium side boards



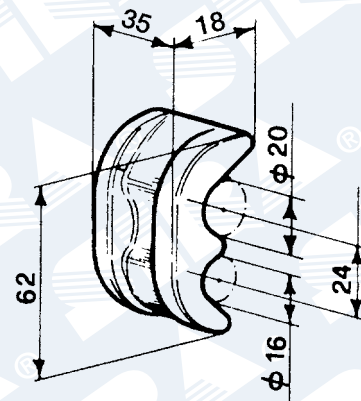
**M 30070**

Zinc-plated high double opening hinge with holes



**M 35050**

Raw heavy perforated support



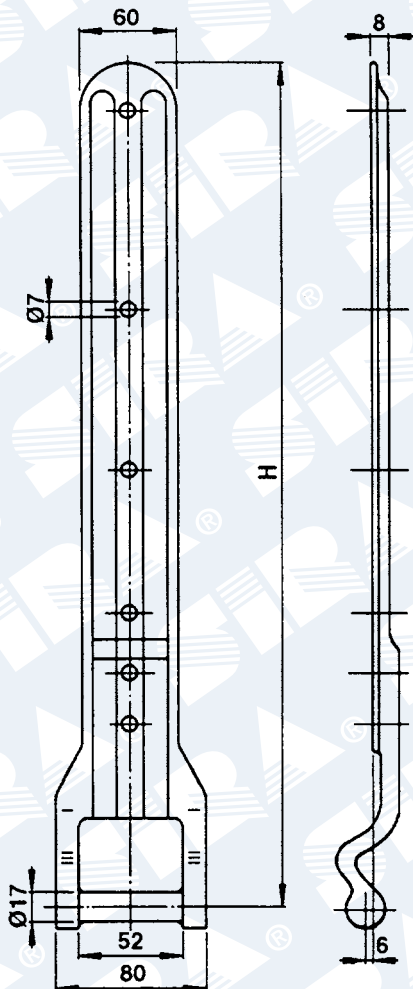
**M 40080**

Light raw locking plate

# COMPONENTS AND ACCESSORIES FOR FITTING TIPPERS

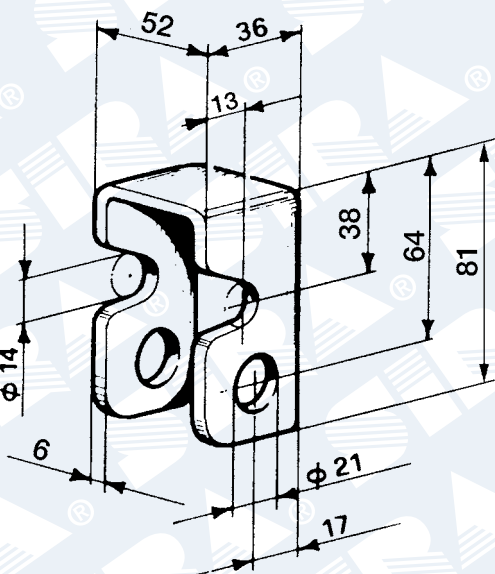
## Hinges for aluminium side boards

Printed zinc-plated high plate double opening hinge with holes



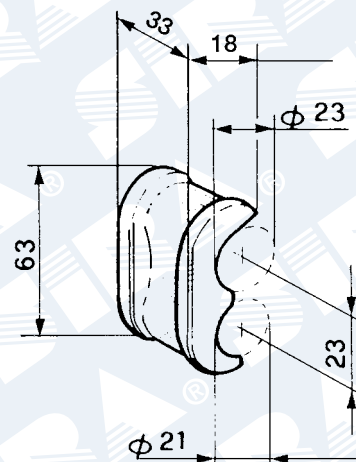
DIMENSIONS mm

CODE	HIGH PLATE	H
M 30073	600	627
M 30074	700	727
M 30075	800	827
M 30076	900	927
M 30077	1000	1027
M 30078	1100	1127
M 30079	1200	1227



**M 35050**

Raw heavy perforated support

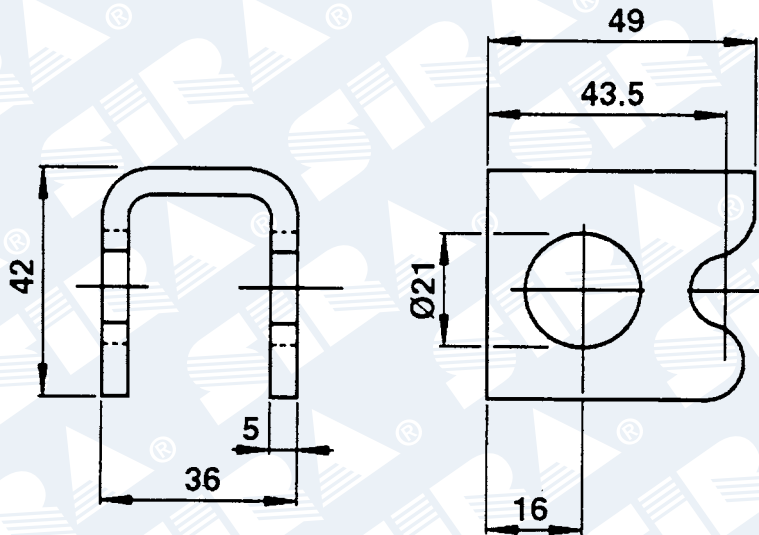


**M 40080**

Light raw locking plate

# COMPONENTS AND ACCESSORIES FOR FITTING TIPPERS

## Hinges for aluminium side boards

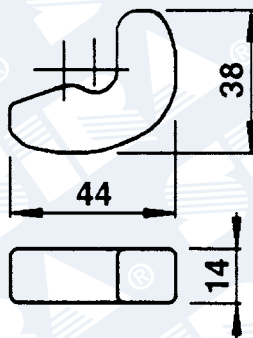


**M 35110**

Piece with holes for lower profile

**M 35210**

Stainless steel piece with holes for lower profile



**M 40100**

Light panel arrest hook

**M 40200**

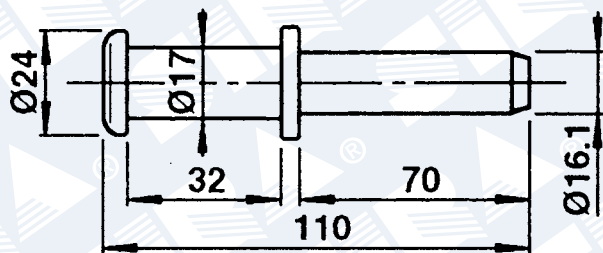
Stainless steel light panel arrest hook



Lower profile in aluminium

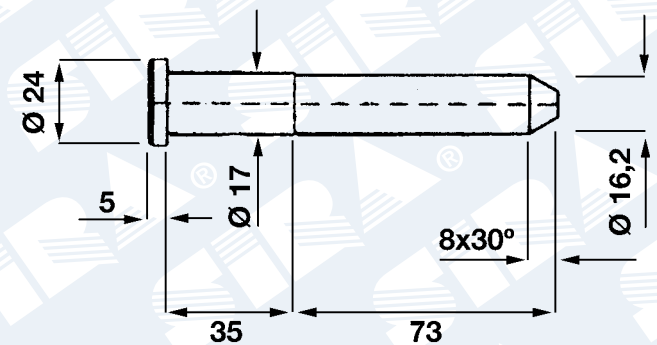
# COMPONENTS AND ACCESSORIES FOR FITTING TIPPERS

## Hinges for aluminium side boards



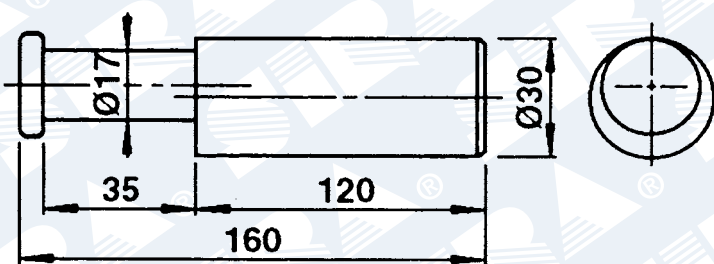
**L 20240**

Turned pin for aluminium washer



**L 20241**

Zinc-plated turned pin for aluminium washer

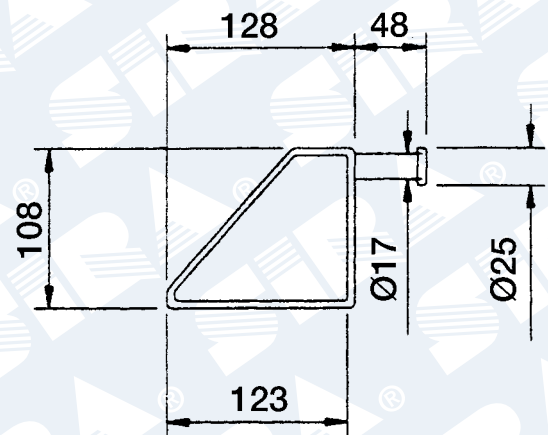


**L 20250**

Pin for aluminium board TR5 rear closing

**L 20251**

Zinc-plated pin for aluminium board TR5 rear closing

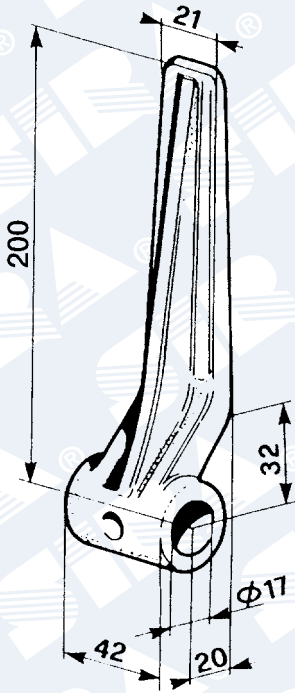


**L 20039**

Turned column ø 17

# COMPONENTS AND ACCESSORIES FOR FITTING TIPPERS

## Hinges for steel side boards

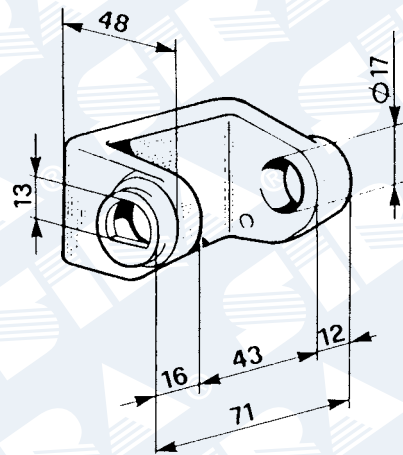


**M 20100**

Raw bilateral hinge Roma type

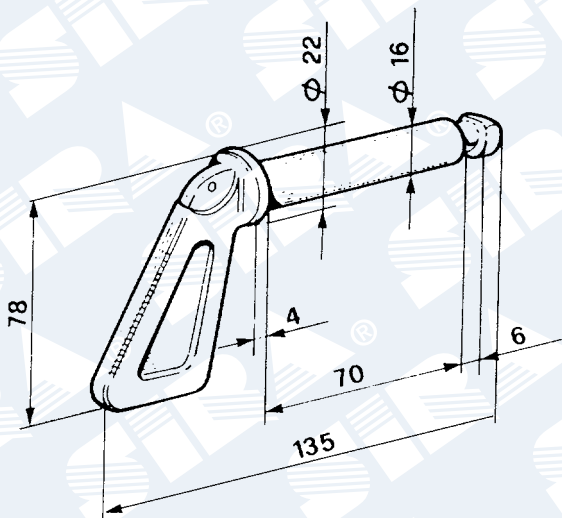
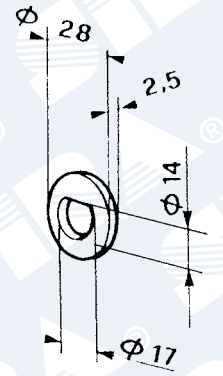
**P 50530**

Raw U-bolt right side



**P 50531**

Raw U-bolt left side



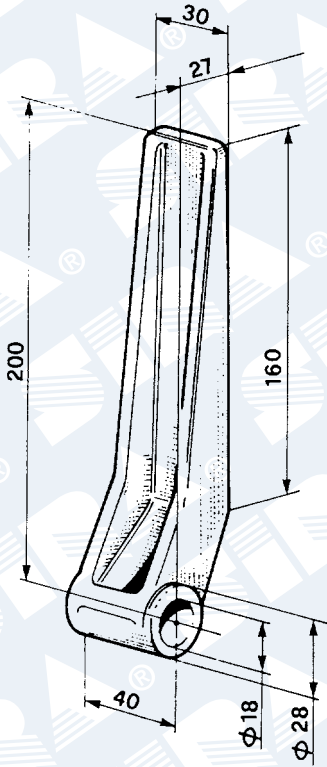
**P 50570**

Stopped handle



# COMPONENTS AND ACCESSORIES FOR FITTING TIPPERS

## Hinges for steel side boards



**M 20160**

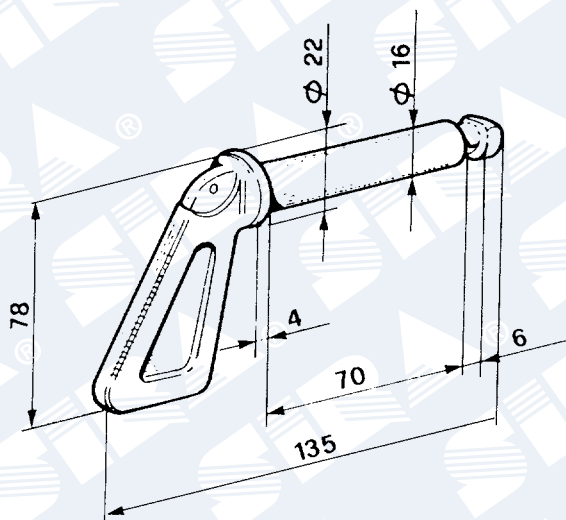
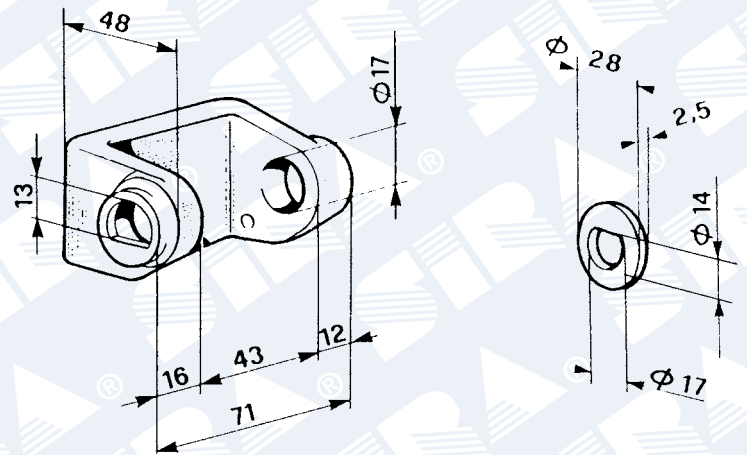
Raw hinge

**P 50530**

Raw U-bolt right side

**P 50531**

Raw U-bolt left side

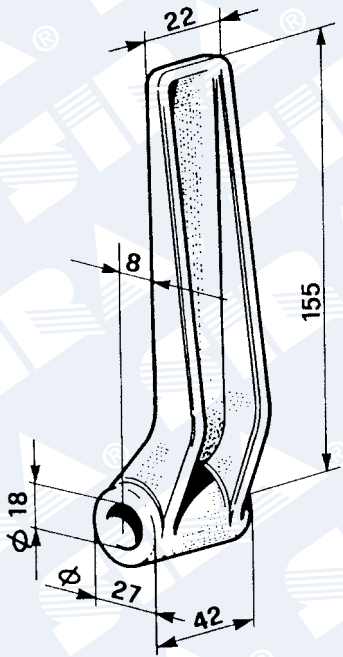


**P 50570**

Stopped handle

# COMPONENTS AND ACCESSORIES FOR FITTING TIPPERS

## Hinges for steel side boards



**M 20150**

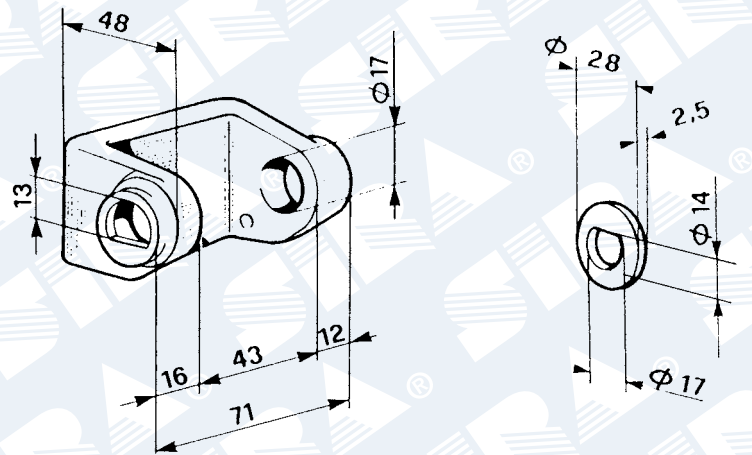
Raw bent hinge

**P 50530**

Raw U-bolt right side

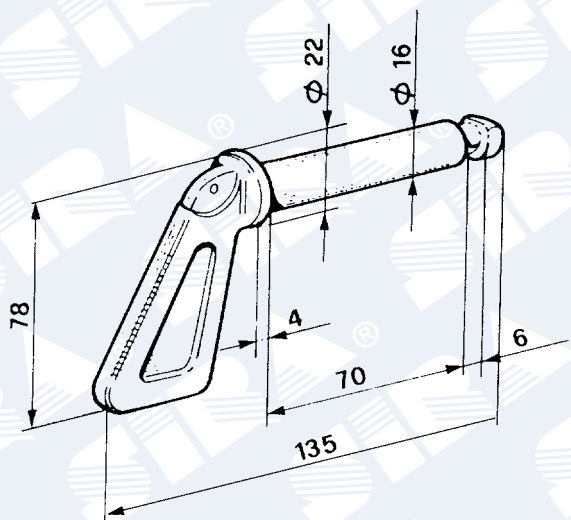
**P 50531**

Raw U-bolt left side



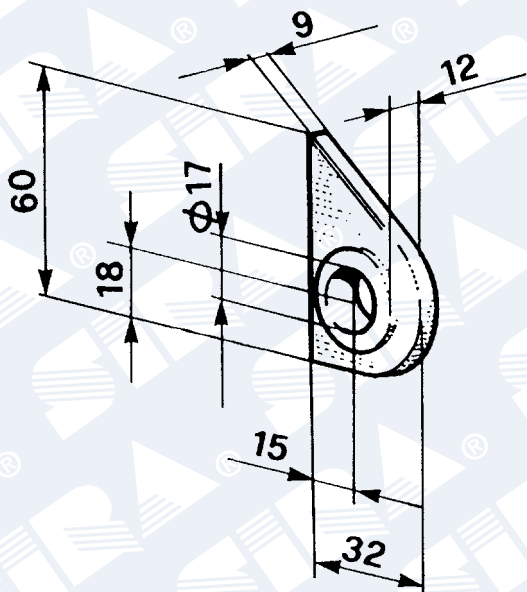
**P 50570**

Stopped handle



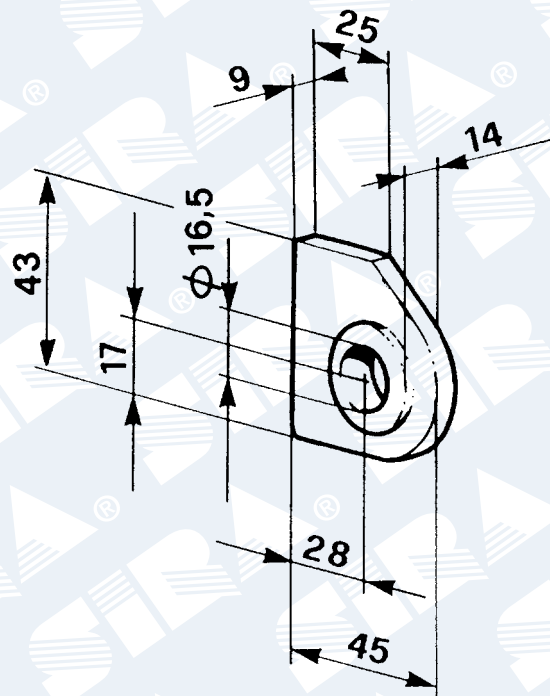
# COMPONENTS AND ACCESSORIES FOR FITTING TIPPERS

## Hinges for steel side boards



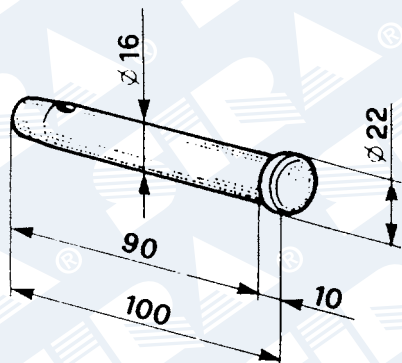
**P 50510**

Light ear hinge



**P 50520**

Heavy ear hinge

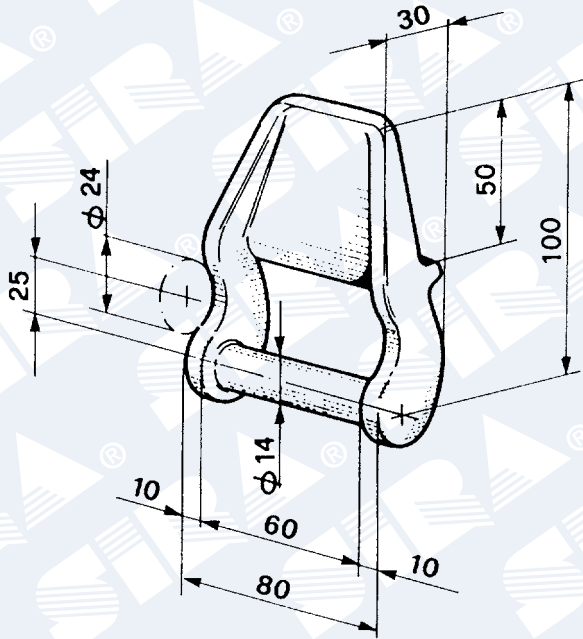


**L 20230**

Turned pin  $\Phi 16$

# COMPONENTS AND ACCESSORIES FOR FITTING TIPPERS

## Hinges for steel side boards

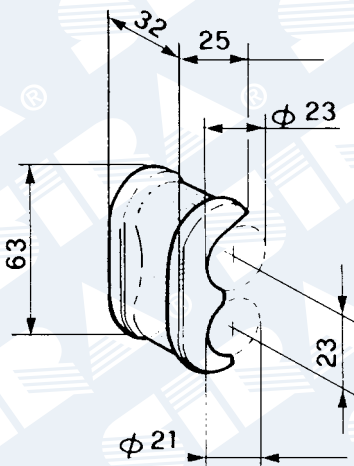
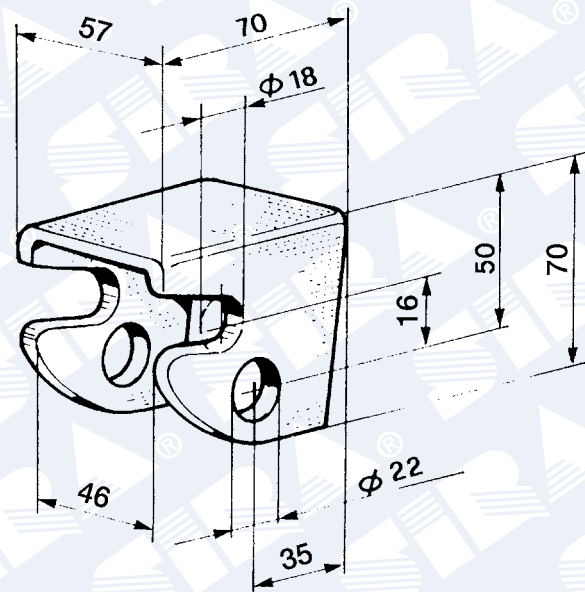


**M 30010**

Raw light hinge type RAS

**M 35030**

Raw perforated hinge type RAS

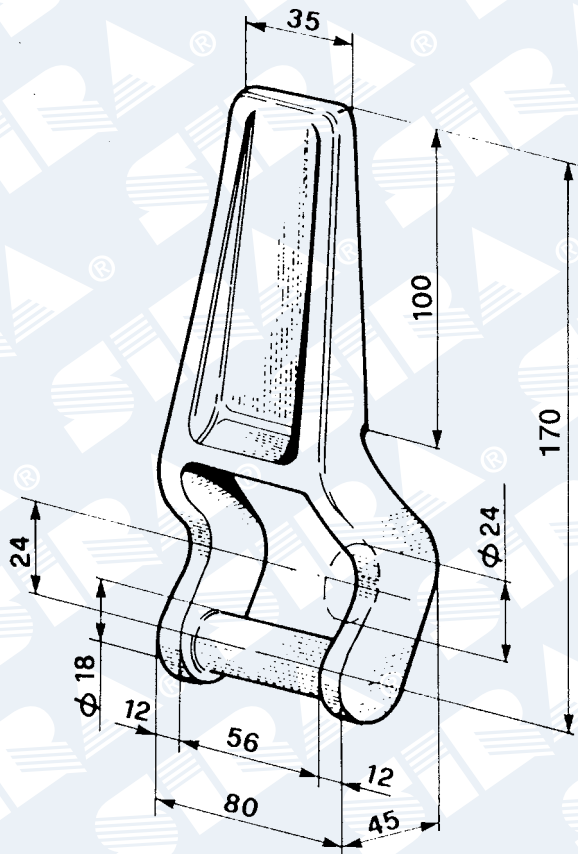


**M 40080**

Raw heavy flap

# COMPONENTS AND ACCESSORIES FOR FITTING TIPPERS

## Hinges for steel side boards

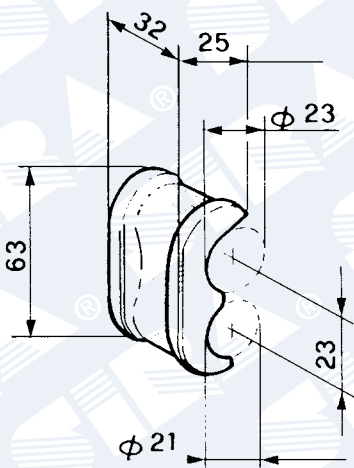
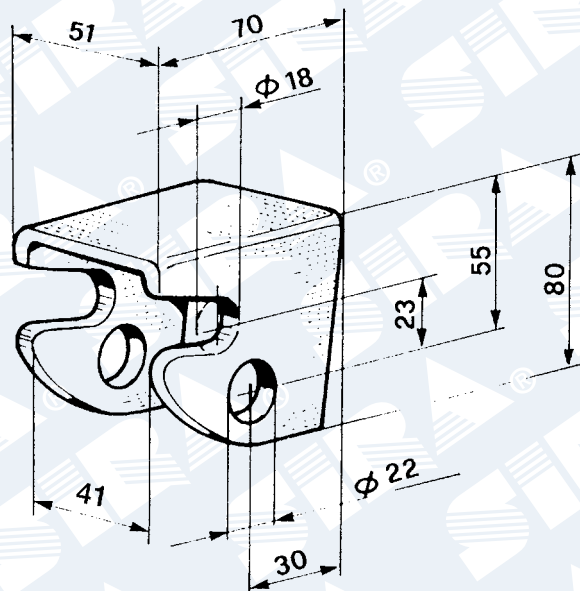


**M 30050**

Raw hinge type RAS

**M 35010**

Raw perforated hinge type RAS

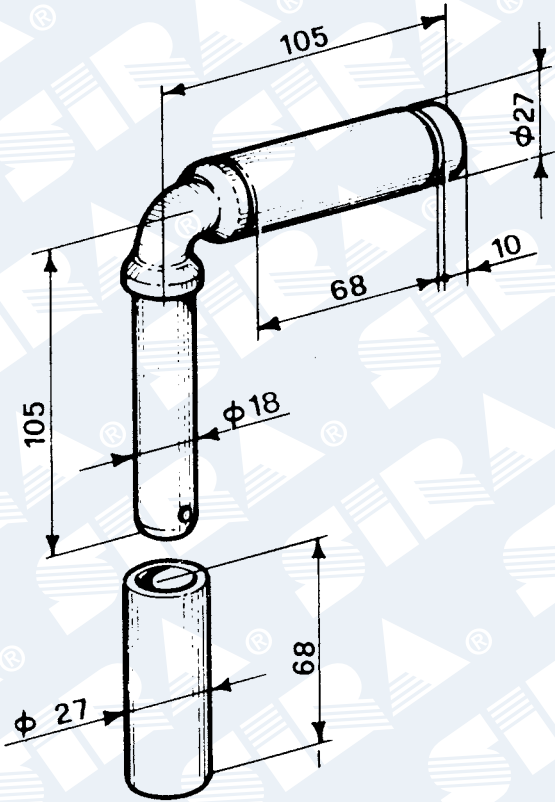


**M 40080**

Heavy raw locking plate

# COMPONENTS AND ACCESSORIES FOR FITTING TIPPERS

## Hinges for steel side boards

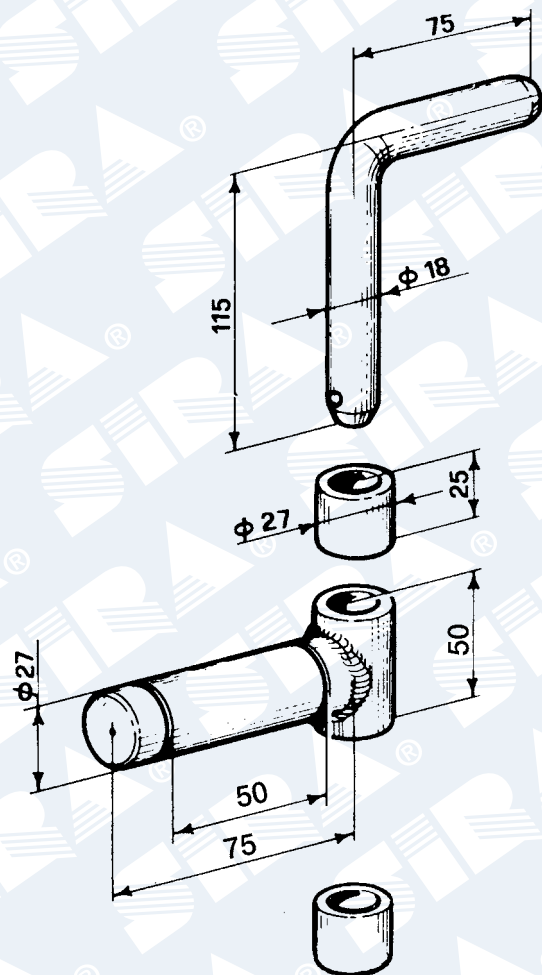


**M 30100**

Flag hinge

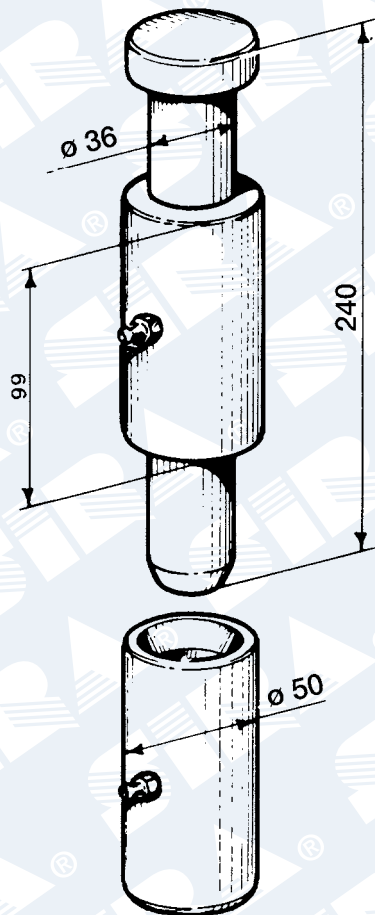
**M 30110**

Triple flag hinge



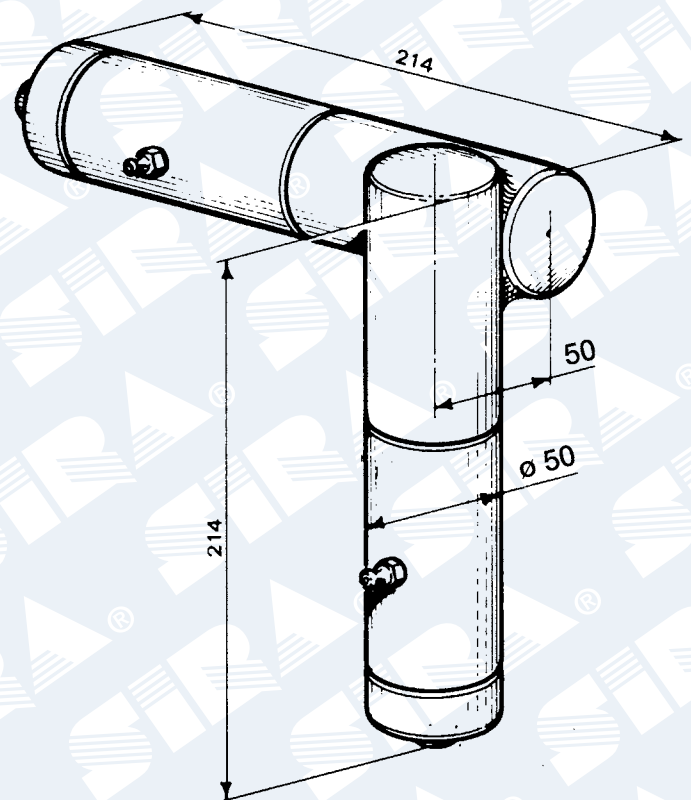
# COMPONENTS AND ACCESSORIES FOR FITTING TIPPERS

## Hinges for steel side boards



**M 30120**

Lower hinge dm. 50

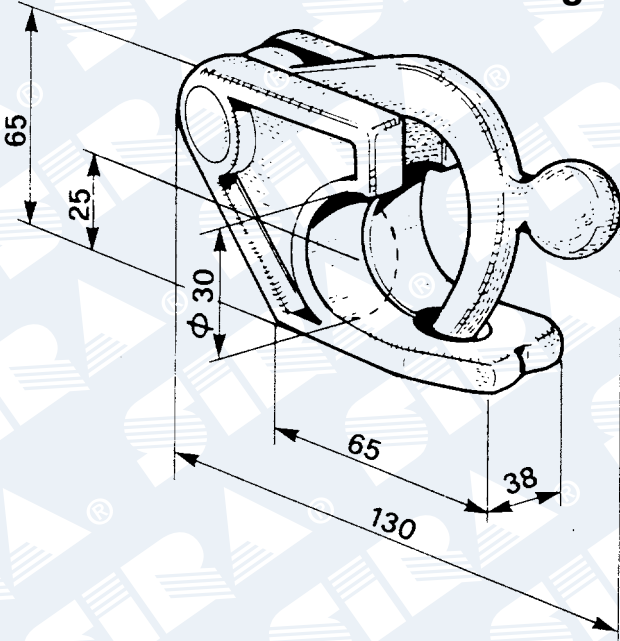


**M 30121**

Higher hinge  $\varnothing$  50

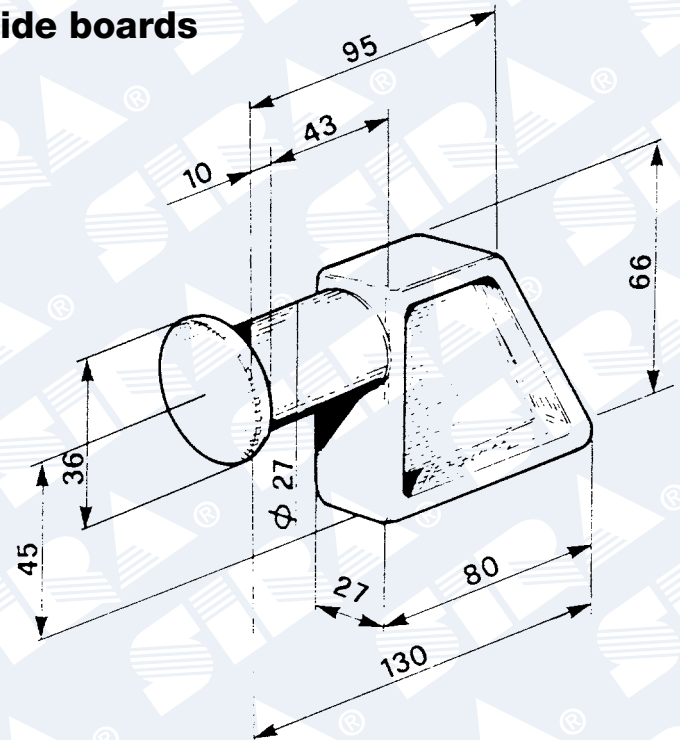
# COMPONENTS AND ACCESSORIES FOR FITTING TIPPERS

## Hinges for steel side boards



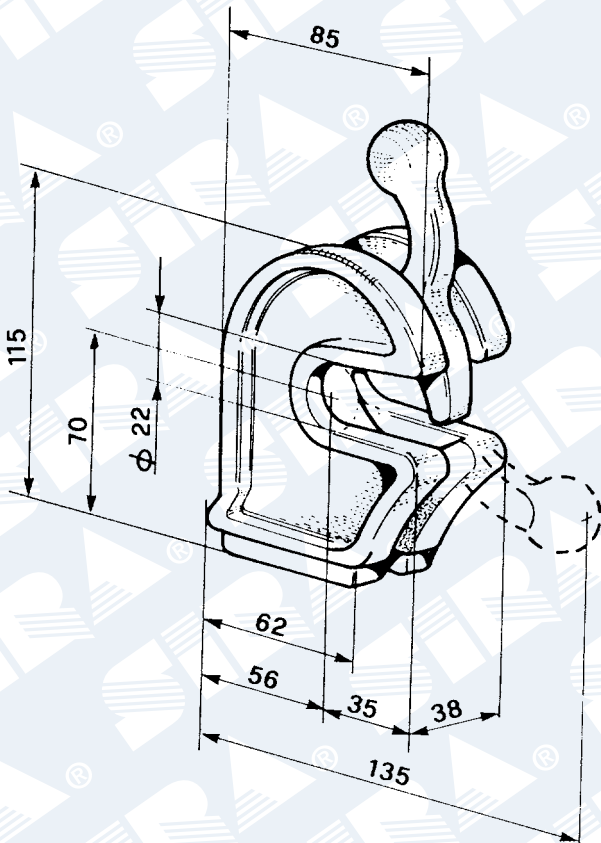
**L 20010**

Closure type "AV" block



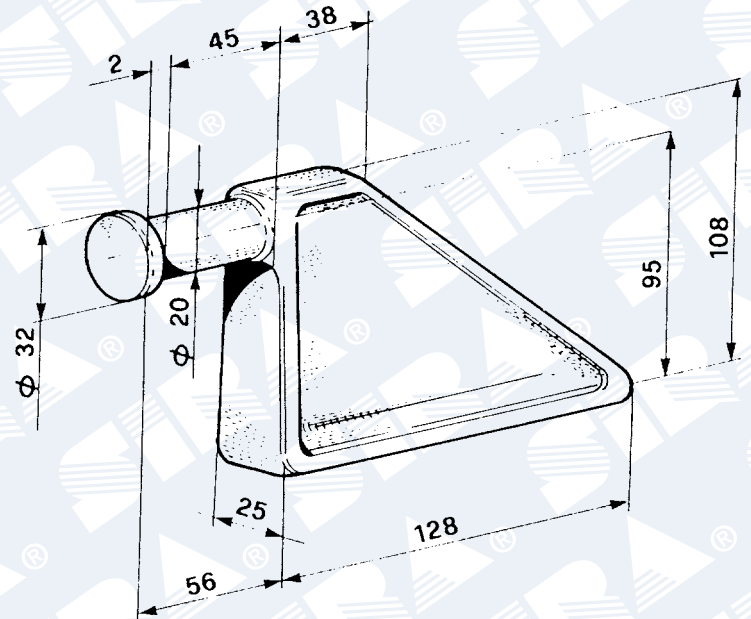
**L 20020**

Column type "AV"



**L 20030**

Closure block  $\phi 20$



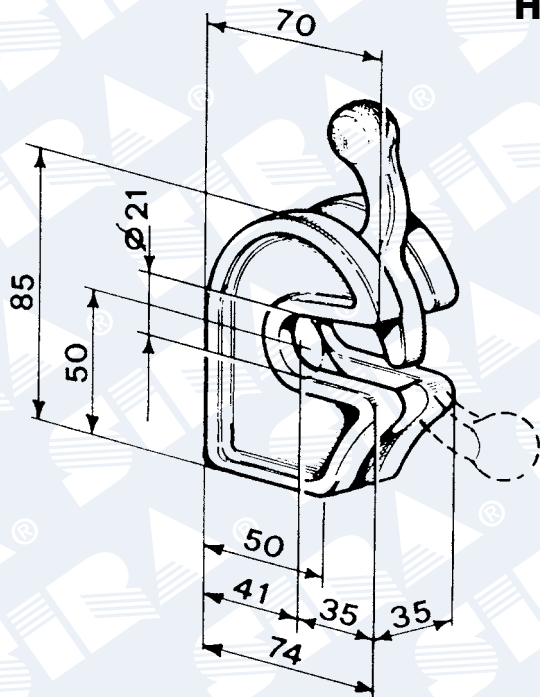
**L 20040**

Column  $\phi 20$



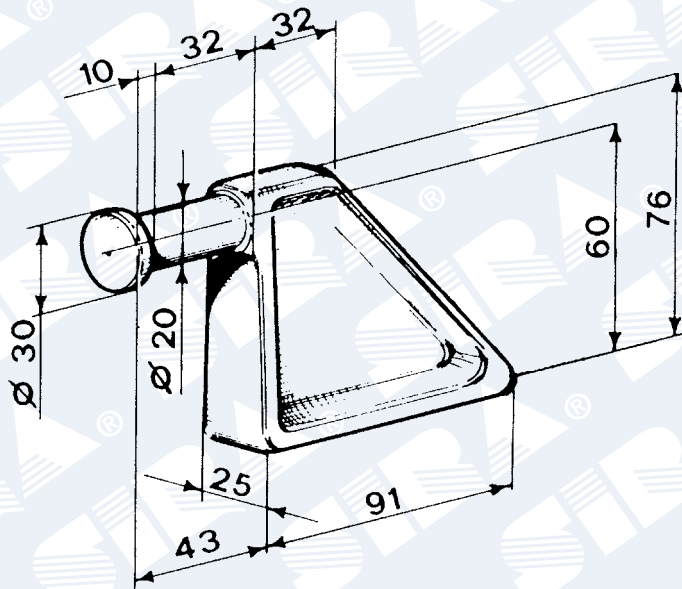
# COMPONENTS AND ACCESSORIES FOR FITTING TIPPERS

## Hinges for steel side boards



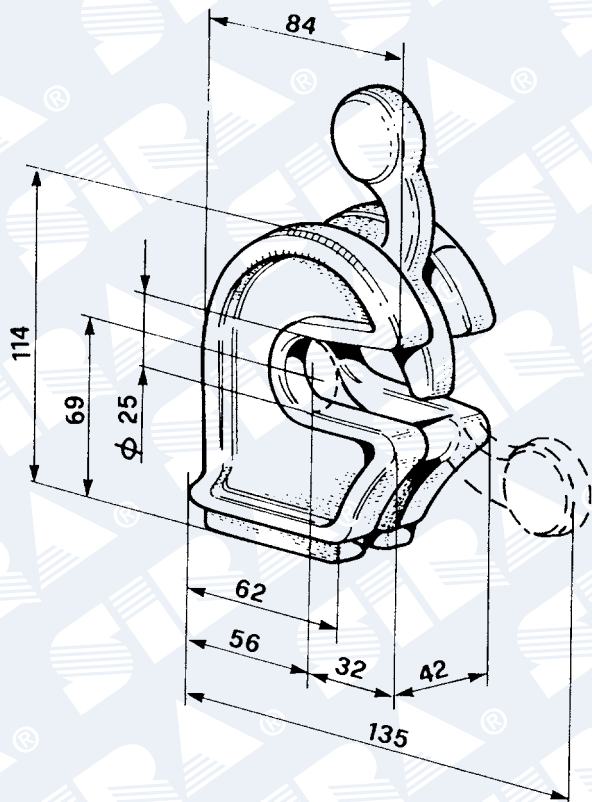
**L 20031**

Lower closure block  $\phi$  20



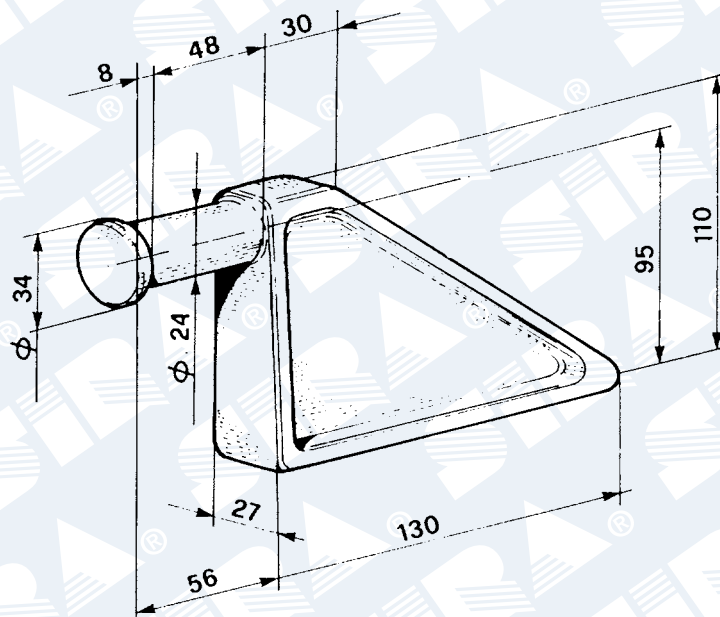
**L 20041**

Lower column  $\phi$  20



**L 20050**

Closure block  $\phi$  24

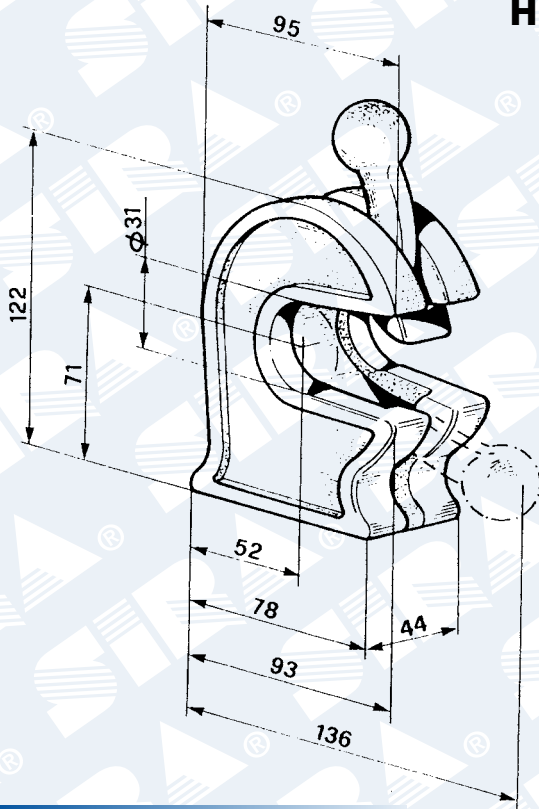


**L 20070**

Column  $\phi$  24

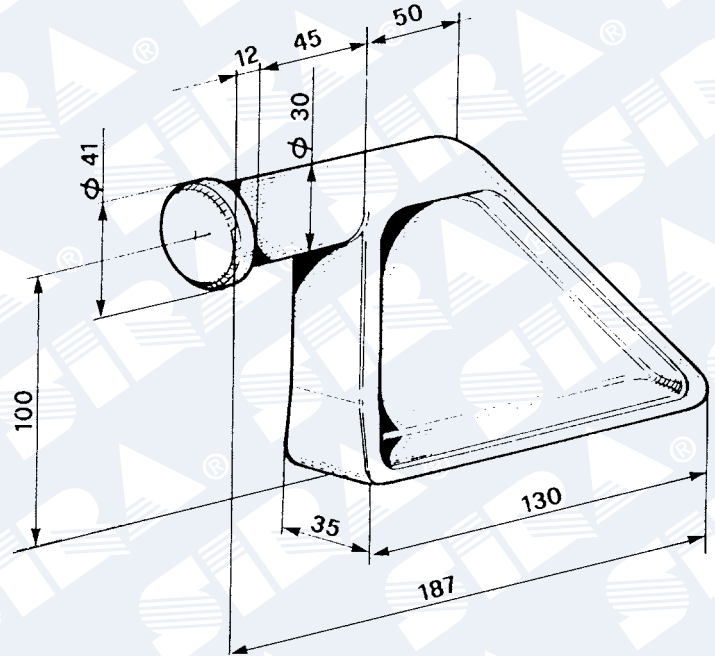
# COMPONENTS AND ACCESSORIES FOR FITTING TIPPERS

## Hinges for steel side boards



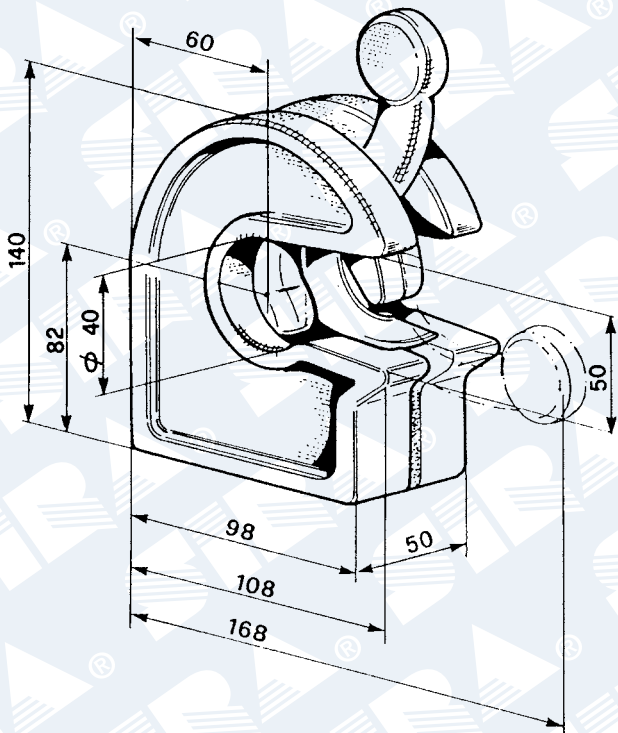
**L 20080**

Closure block  $\varnothing$  30



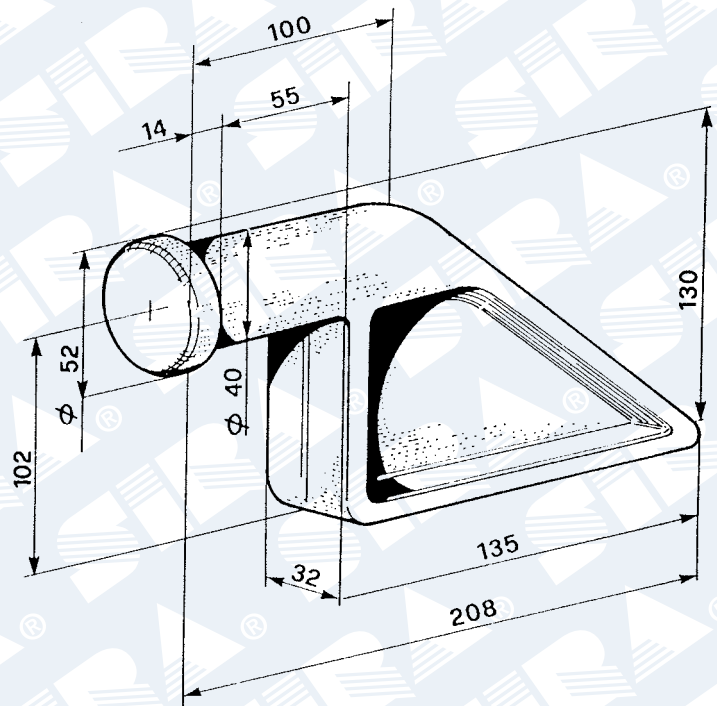
**L 20090**

Column  $\varnothing$  30



**L 20100**

Closure block  $\varnothing$  40

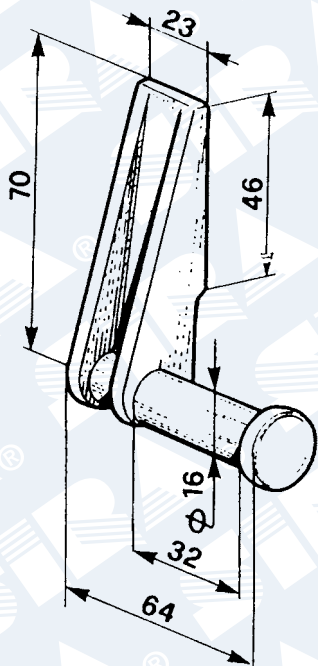


**L 20110**

Column  $\varnothing$  40

# COMPONENTS AND ACCESSORIES FOR FITTING TIPPERS

## Hinges for steel side boards



RIGHT

**P 25011**

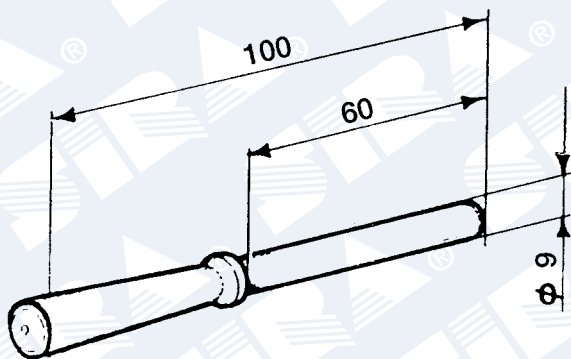
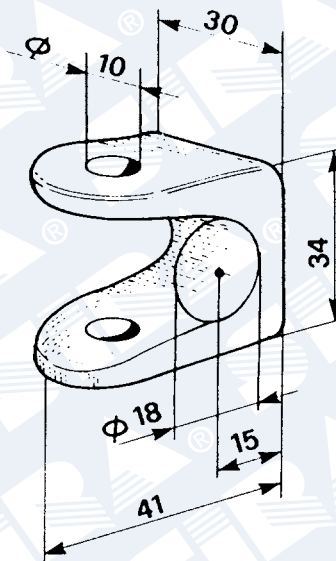
Light back hinge right side

**P 25021**

Light back hinge left side

**P 25012**

Light fork

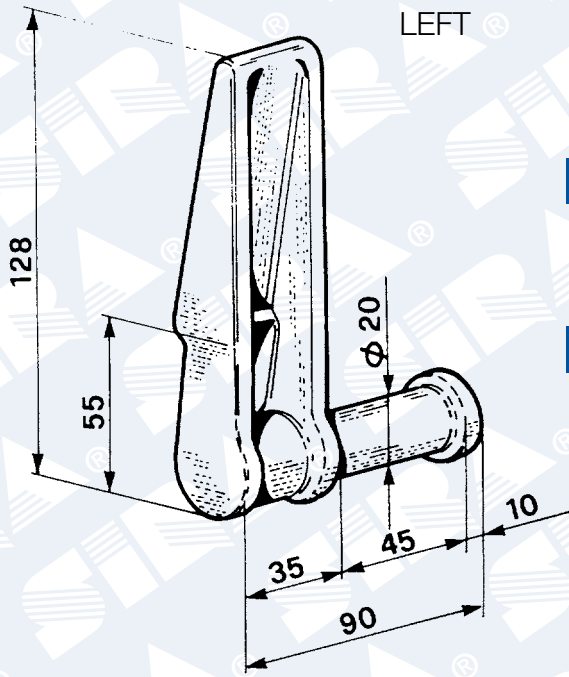


**P 25013**

Turned stopper  $\phi 9$

# COMPONENTS AND ACCESSORIES FOR FITTING TIPPERS

## Hinges for steel side boards



**L 15260**

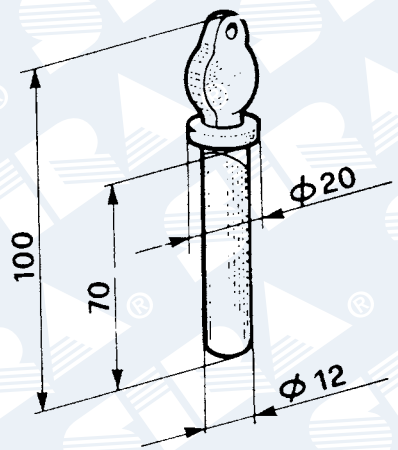
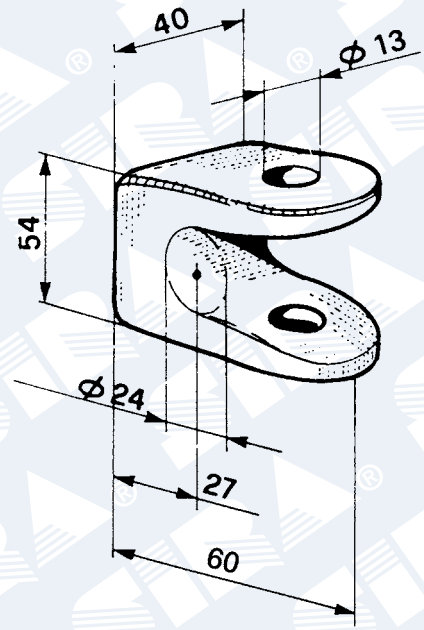
Heavy back hinge left side

**L 15261**

Heavy back hinge right side

**P 50550**

Heavy fork

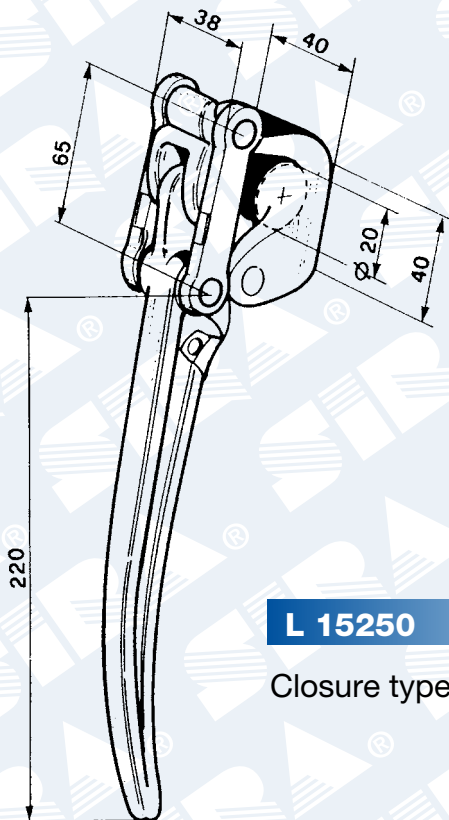


**P 50600**

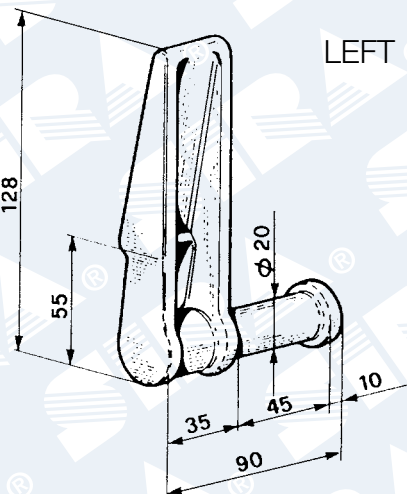
Stopper  $\phi$  12

# COMPONENTS AND ACCESSORIES FOR FITTING TIPPERS

## Hinges for steel side boards

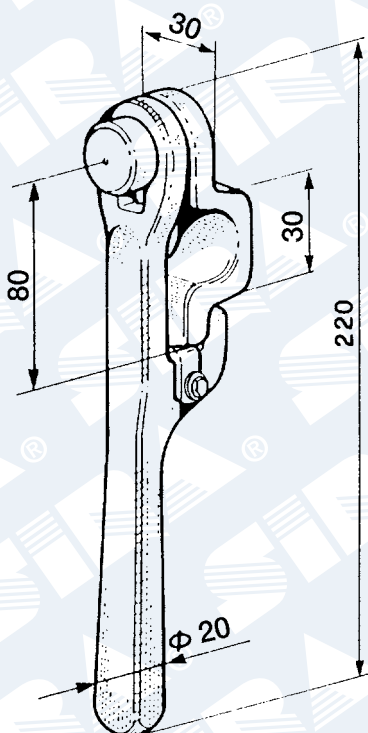


**L 15250**  
Closure type Marotta

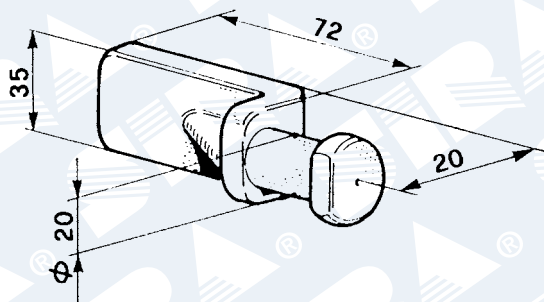


**L 15260**  
Heavy back hinge left side

**L 15261**  
Heavy back hinge right side



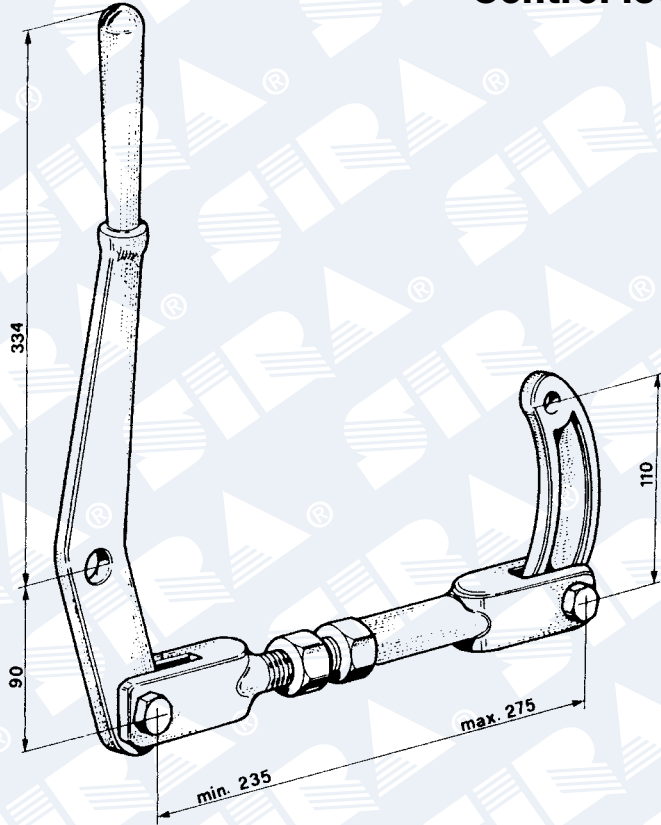
**L 15280**  
Trilateral lock



**L 15290**  
Column for trilateral lock

# COMPONENTS AND ACCESSORIES FOR FITTING TIPPERS

## Control levers for side opening

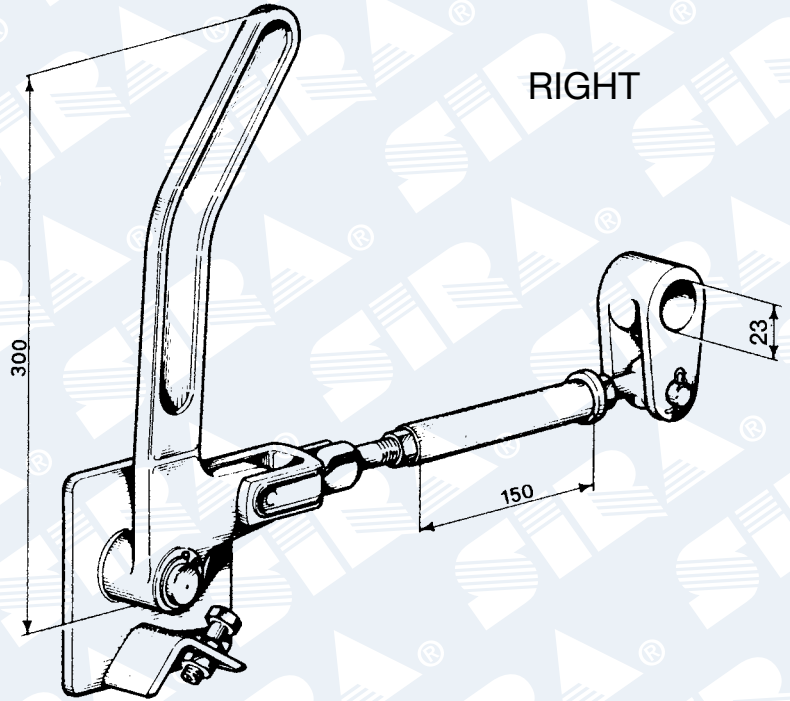


**P 70030**

Complete control lever for side opening

**P 70032**

Long drilled control lever

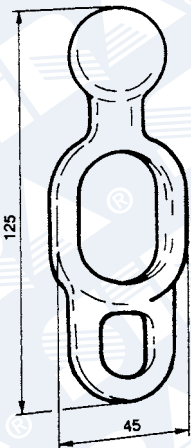


**P 70010**

Complete "Rapid" control lever for left side opening

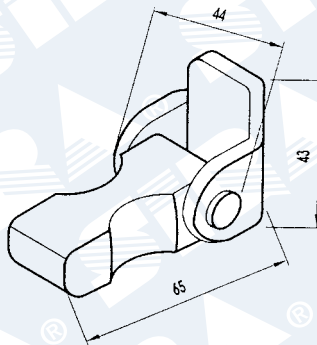
**P 70020**

Complete "Rapid" control lever for right side opening



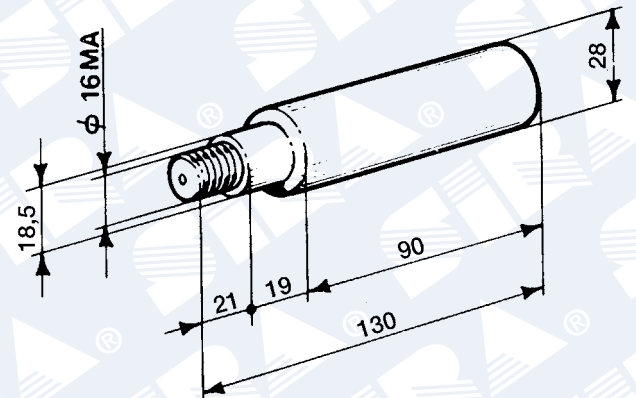
**P 70080**

Double stop ring  
22



**P 70081**

Lock lever

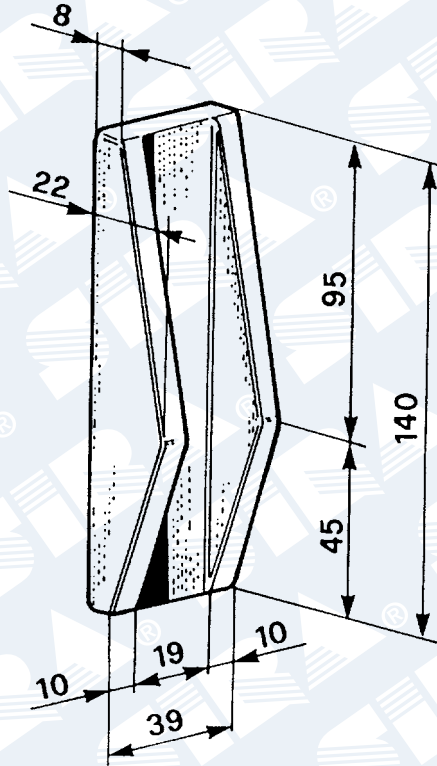


**P 70031**

Long pin for lever fixing

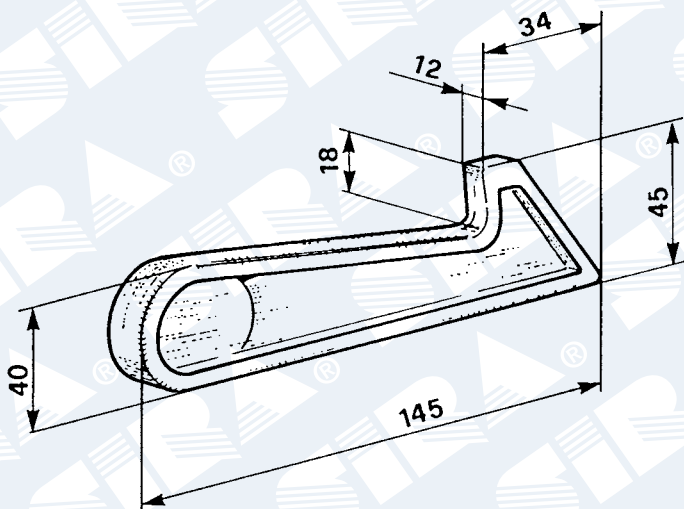
# COMPONENTS AND ACCESSORIES FOR FITTING TIPPERS

## Pawl striker lock



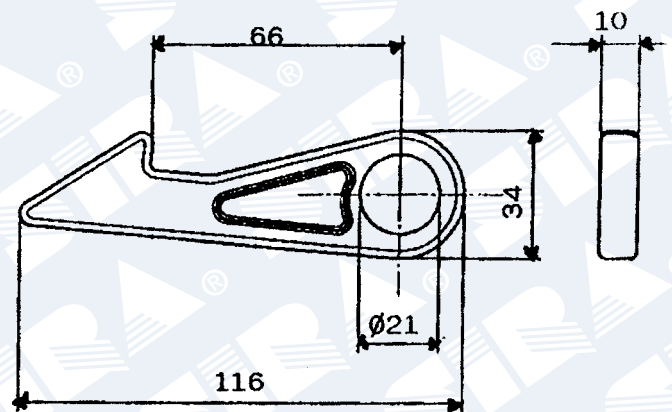
**P 60560**

Rear pawl striker



**P 60520**

Heavy rear pawl



**P 60519**

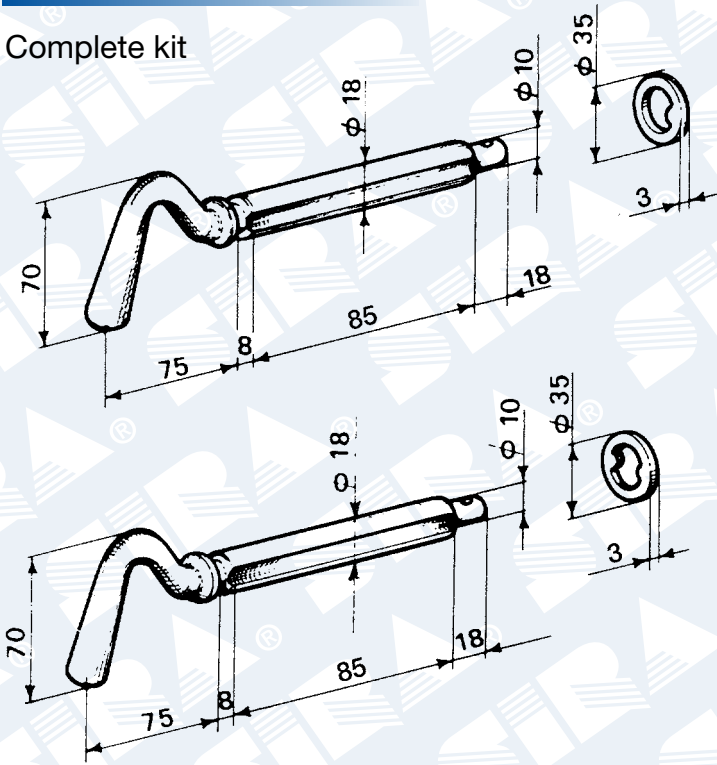
Light pawl with holes

# COMPONENTS AND ACCESSORIES FOR FITTING TIPPERS

## Complete set ø 60

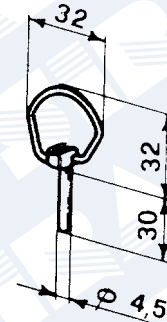
**P 10100**

Complete kit



**P 10090**

Cotter pin



**P 10051**

Single fluted locking pin

**P 10061**

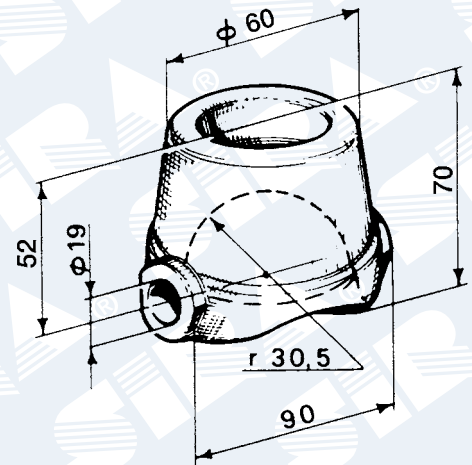
Twin fluted locking pin

**P 10070**

One tooth plate

**P 10080**

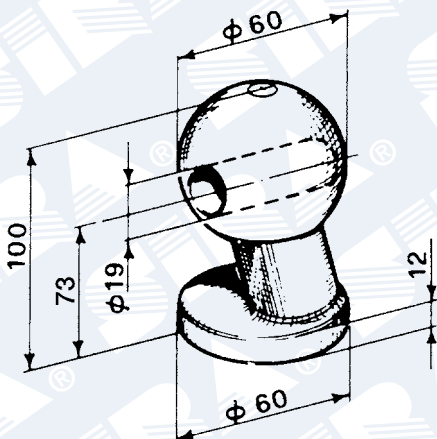
Two teeth plate



Sphere support ø 60

**P 10021**

Lateral sphere ø 60

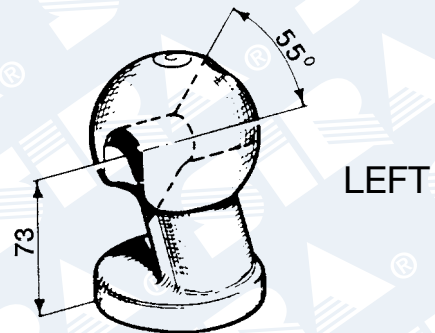


**P 10031**

Rear sphere right side ø 60

**P 10041**

Rear sphere left side ø 60



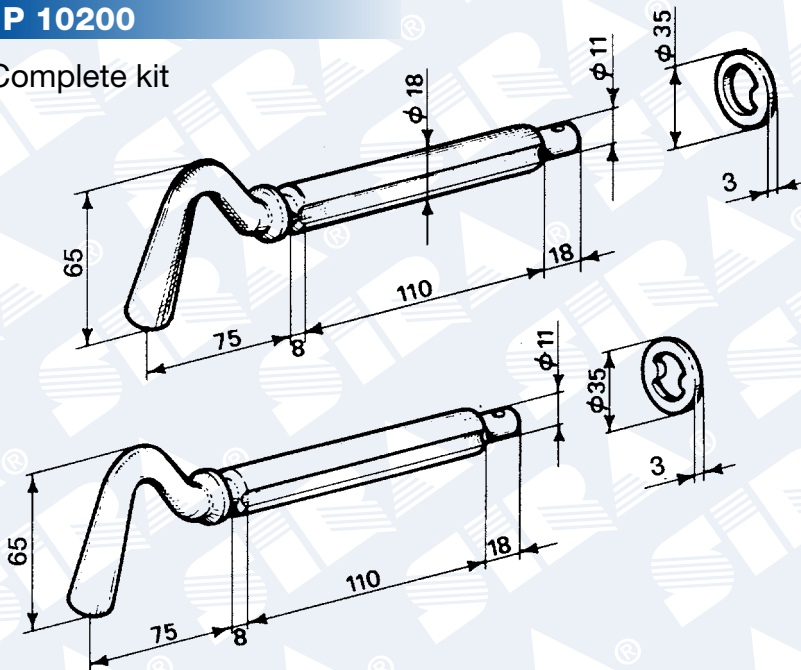


# COMPONENTS AND ACCESSORIES FOR FITTING TIPPERS

## Complete set $\varnothing 75$

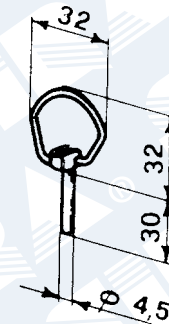
**P 10200**

Complete kit



**P 10090**

Cotter pin



**P 10050**

Single fluted locking pin

**P 10060**

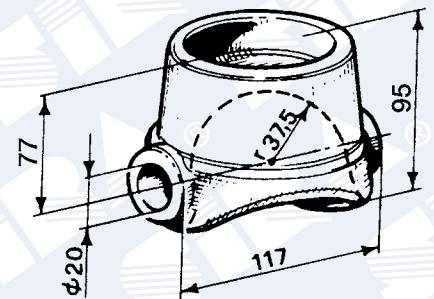
Twin fluted locking pin

**P 10070**

One tooth plate

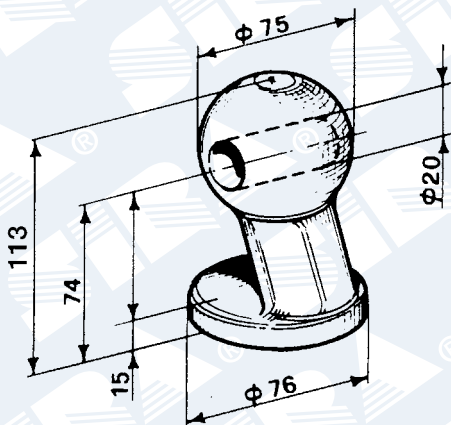
**P 10080**

Two teeth plate



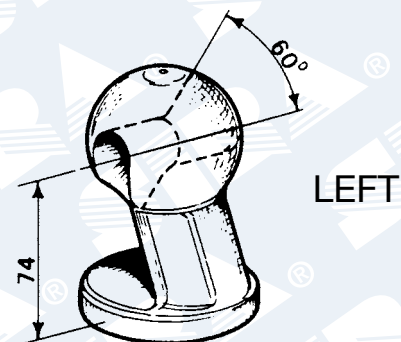
**P 10010**

Sphere support  $\varnothing 75$



**P 10020**

Lateral sphere  $\varnothing 75$



**P 10030**

Rear sphere right side  $\varnothing 75$

**P 10040**

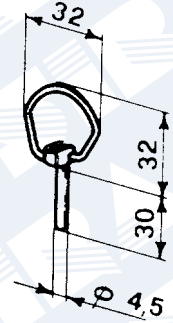
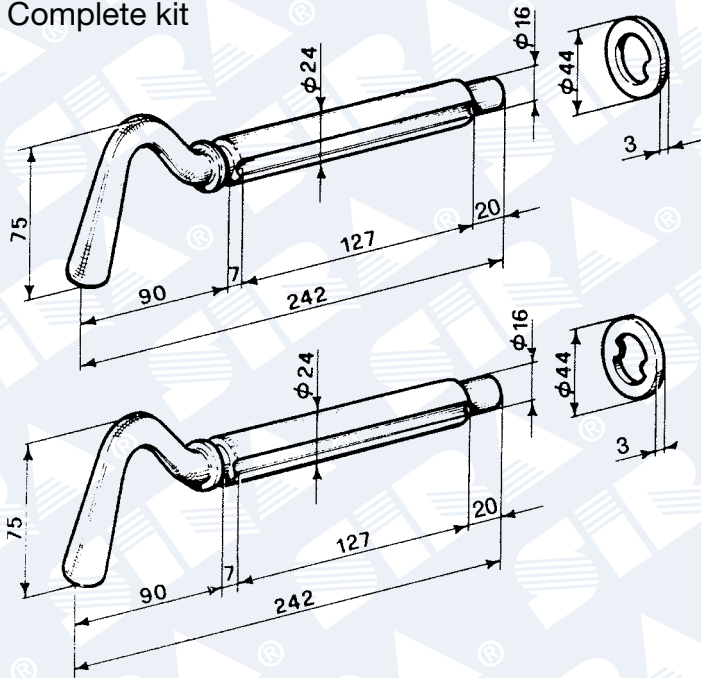
Rear sphere left side  $\varnothing 75$

# COMPONENTS AND ACCESSORIES FOR FITTING TIPPERS

## Complete set $\varnothing$ 85

**P 10300**

Complete kit



**P 10090**

Cotter pin

**P 15050**

Single fluted locking pin

**P 15060**

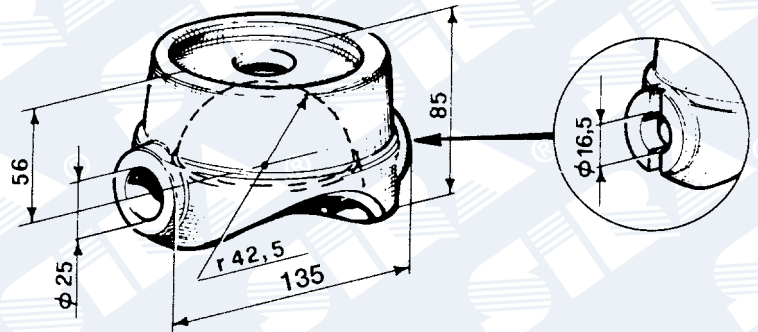
Twin fluted locking pin

**P 15070**

One tooth plate

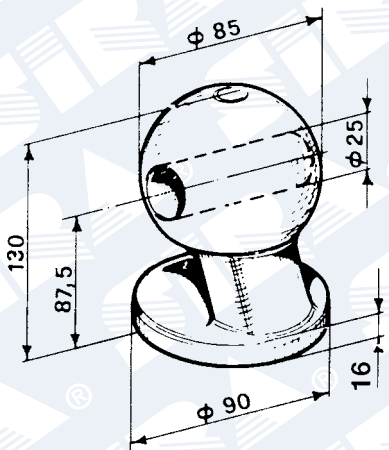
**P 15080**

Two teeth plate



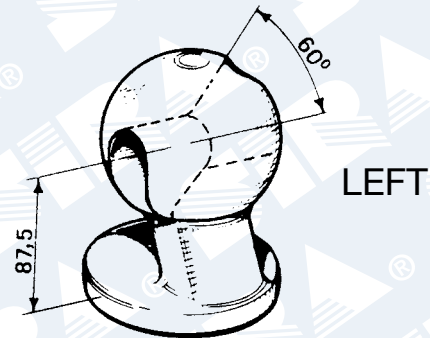
**P 15010**

Sphere support  $\varnothing$  85



**P 15020**

Lateral sphere  $\varnothing$  85



**P 15030**

Rear sphere right side  $\varnothing$  85

**P 15040**

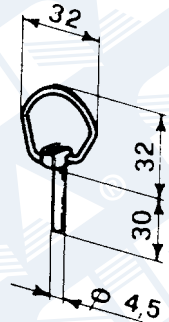
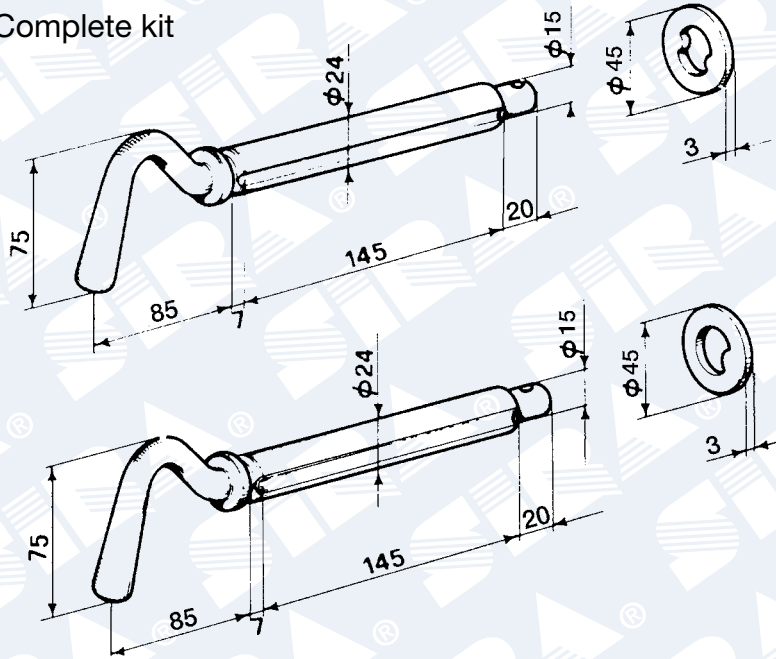
Rear sphere left side  $\varnothing$  85

# COMPONENTS AND ACCESSORIES FOR FITTING TIPPERS

## Complete set $\varnothing 95$

**P 10400**

Complete kit



**P 10090**

Cotter pin

**P 20050**

Single fluted locking pin

**P 20060**

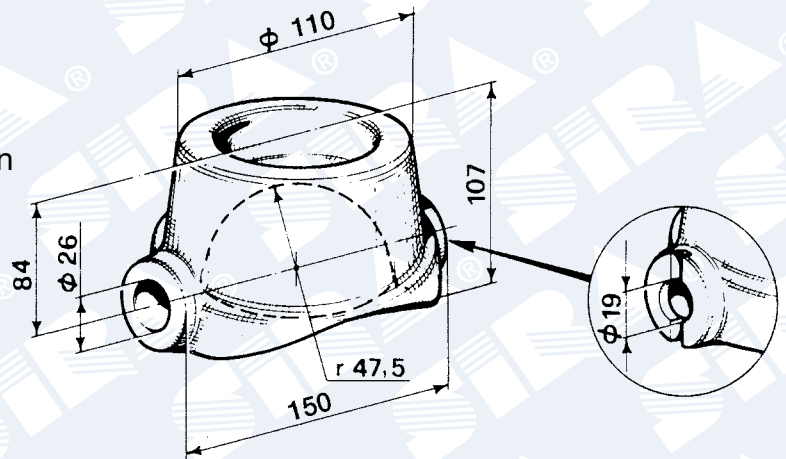
Twin fluted locking pin

**P 15070**

One tooth plate

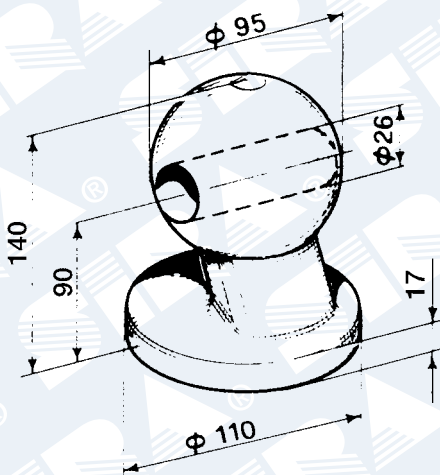
**P 15080**

Two teeth plate



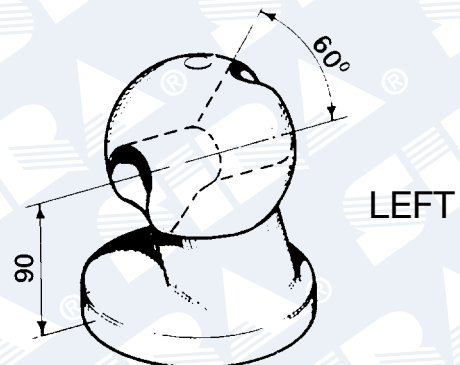
**P 20010**

Sphere support  $\varnothing 95$



**P 20020**

Lateral sphere  $\varnothing 95$



**P 20030**

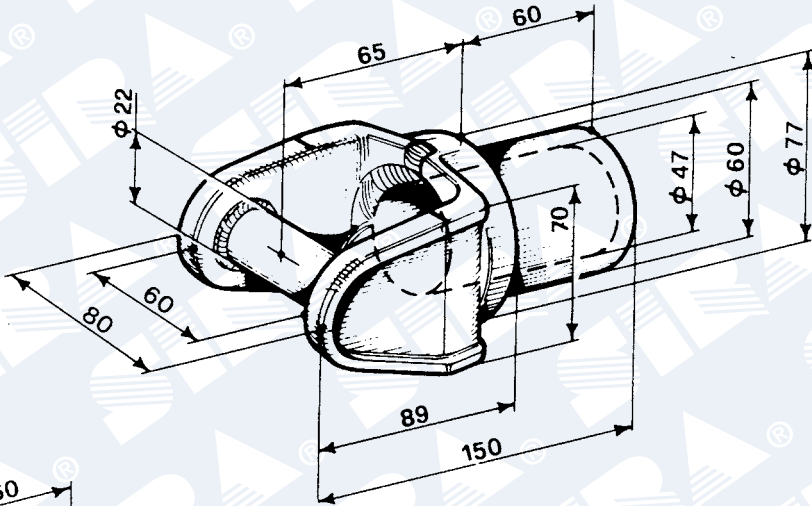
Rear sphere right side  $\varnothing 95$

**P 20040**

Rear sphere left side  $\varnothing 95$

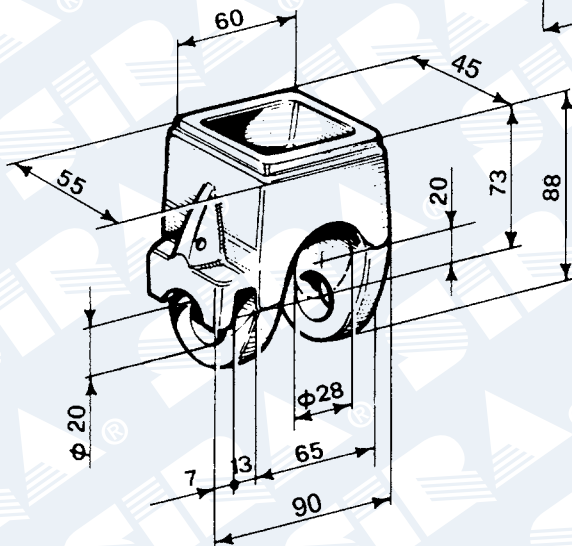
# COMPONENTS AND ACCESSORIES FOR FITTING TIPPERS

## Tipper kit with light fork



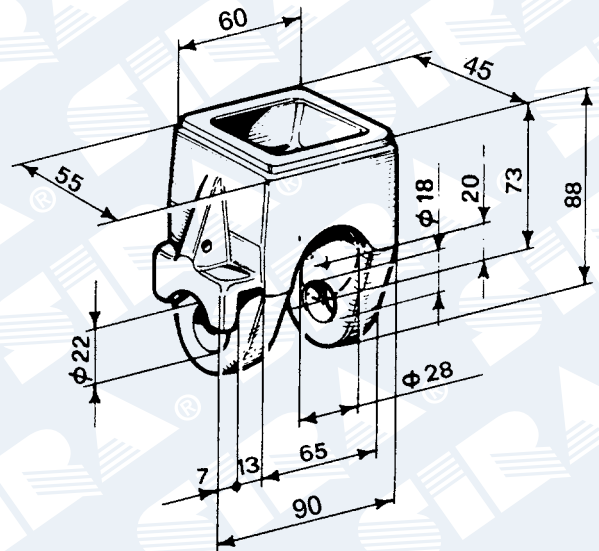
**P 25010**

Light fork



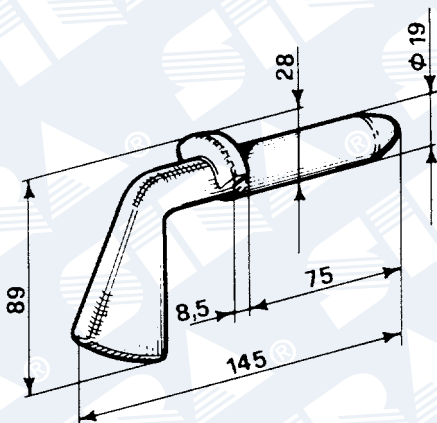
**P 25020**

Light support



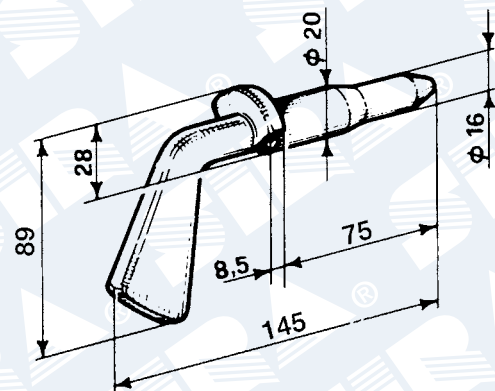
**P 25030**

Different light support



**P 25040**

Light pin

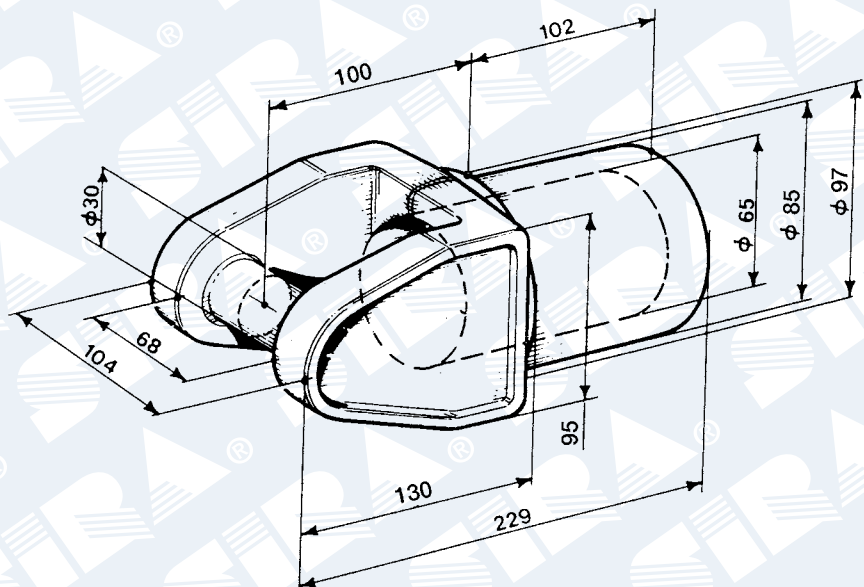


**P 25050**

Different light pin

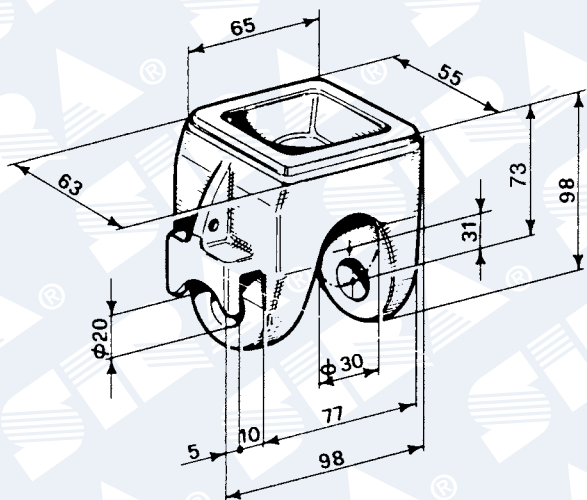
# COMPONENTS AND ACCESSORIES FOR FITTING TIPPERS

## Tipper kit with heavy fork



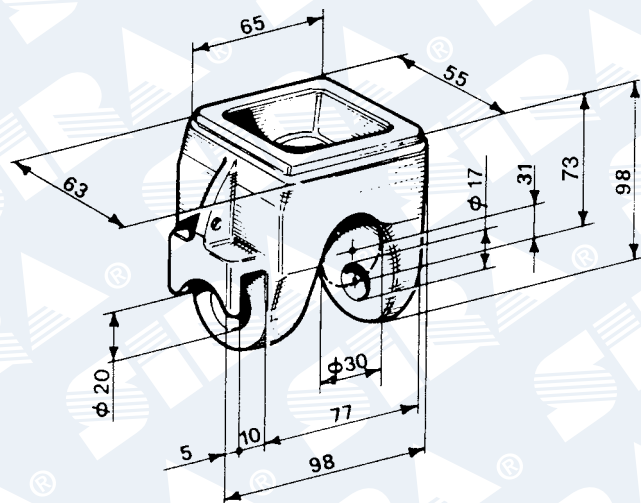
**P 25210**

Heavy fork



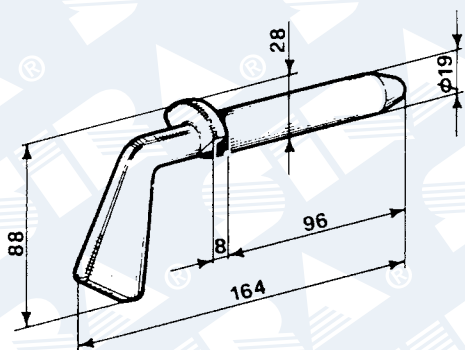
**P 25220**

Heavy support



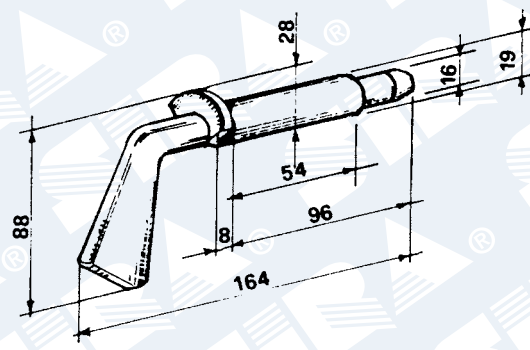
**P 25230**

Different heavy support



**P 25240**

Heavy pin

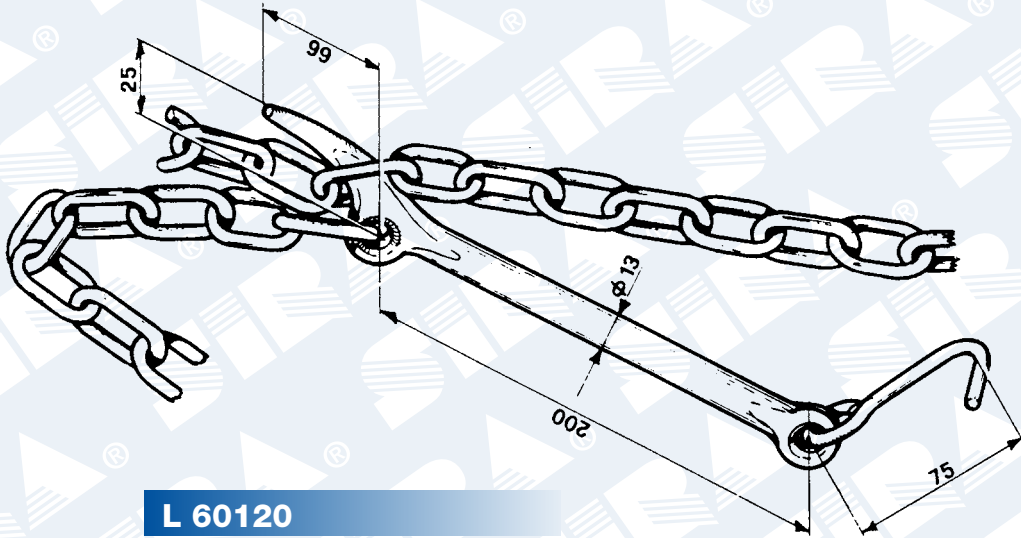


**P 25250**

Different heavy pin

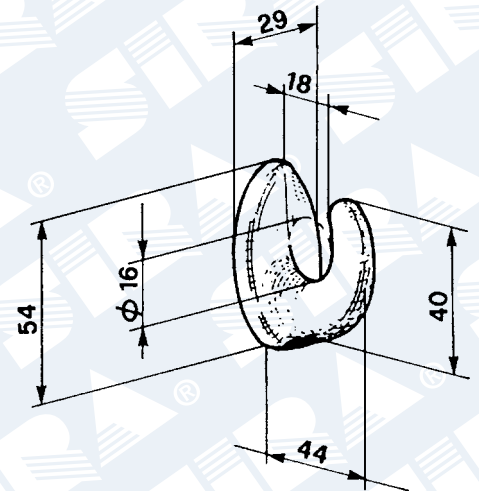
# COMPONENTS AND ACCESSORIES FOR FITTING TIPPERS

## Chains for side trucks



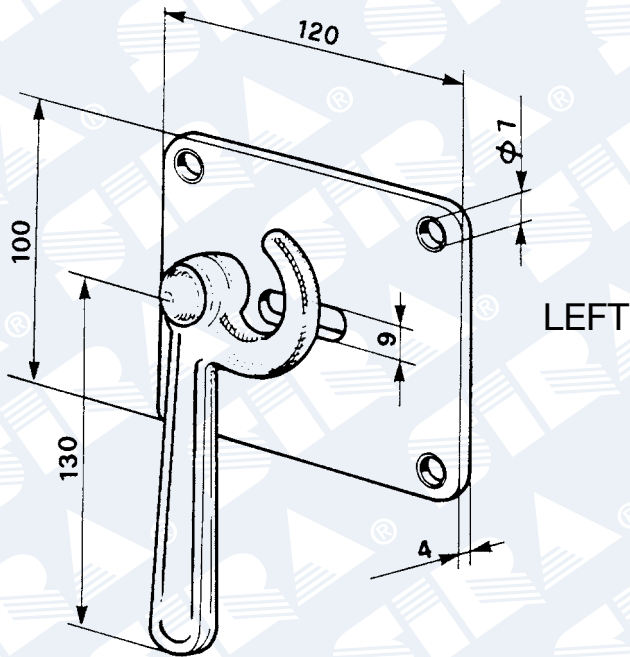
**L 60120**

Zinc-plated chain for side boards  
Total length 3.300 mm



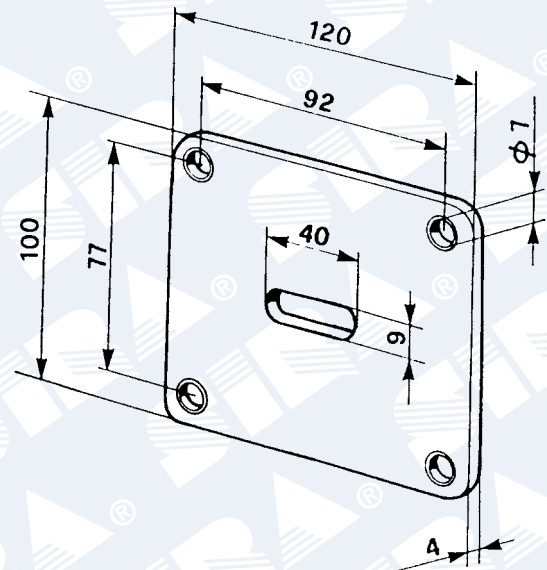
**L 60030**

Hook chain attack



**L 60100**

Zinc-plated chain with plate right side



**L 60111**

Plate for zinc-plated chain

**L 60110**

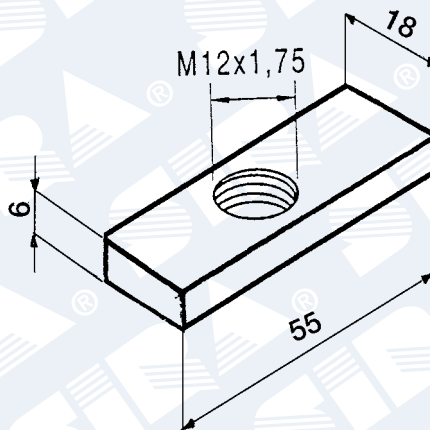
Zinc-plated chain with plate left side

# COMPONENTS AND ACCESSORIES FOR FITTING TIPPERS

## Zinc-plated tie rods



- P 70510** Tie rod  $\varnothing$  12 H 600 zinc-plated
- P 70520** Tie rod  $\varnothing$  12 H 800 zinc-plated
- P 70529** Tie rod  $\varnothing$  12 H 900 zinc-plated
- P 70530** Tie rod  $\varnothing$  12 H 1000 zinc-plated
- P 70590** Tie rod  $\varnothing$  12 H 1100 zinc-plated
- P 70580** Tie rod  $\varnothing$  12 H 1200 zinc-plated



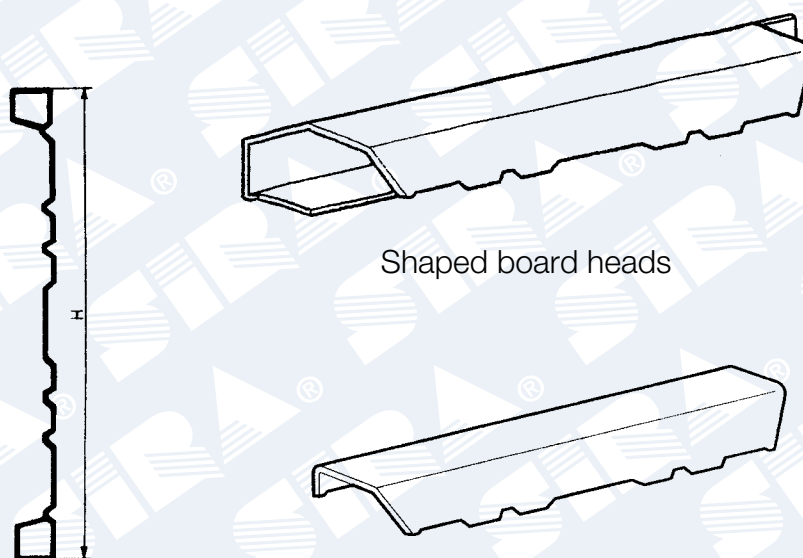
### **M 15560**

Plate for zinc-plated Tie rod

## COMPONENTS AND ACCESSORIES FOR FITTING TIPPERS

### Stainless steel profiles for side boards

- Steel plate folded and welded by electrofusion
- Supplied in raw bars from 5000 and 6000 mm.
- Headboards and crossbars are supplied loose



Side board thickness 20/10

Shaped crossbar

THICKNESS	HEIGHT H	LENGTH BAR	WEIGHT FOR BAR	CODE
2 mm.	400	5000 mm.	Kg 52	P 70610
2 mm.		6000 mm.	Kg 58	P 70611
2 mm.		Heads	Kg 1	P 70612
2 mm.		Crossbar	Kg 1	P 70613
2 mm.	500	5000 mm.	Kg 60	P 70614
2 mm.		6000 mm.	Kg 72	P 70615
2 mm.		Heads	Kg 1,5	P 70616
2 mm.		Crossbar	Kg 1,5	P 70617
2 mm.	600	5000 mm.	Kg 67	P 70618
2 mm.		6000 mm.	Kg 83	P 70619
2 mm.		Heads	Kg 2	P 70620
2 mm.		Crossbar	Kg 2	P 70621