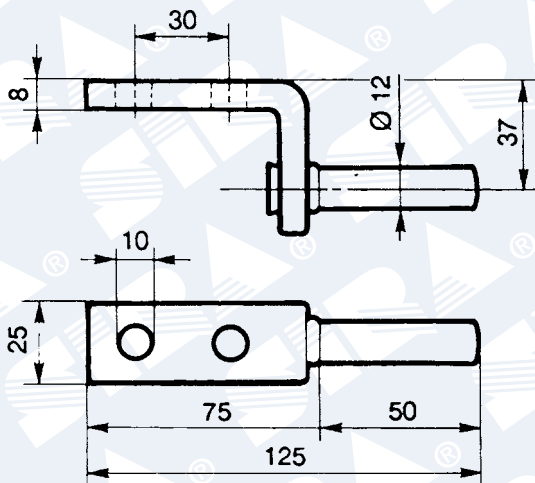


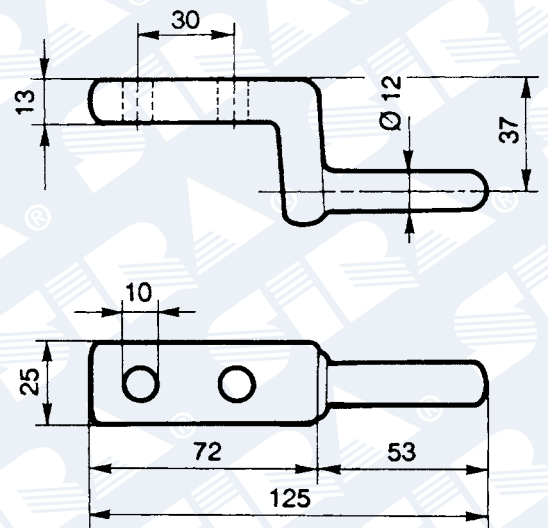
COMPONENTS AND ACCESSORIES FOR FITTING FIXED

Hinges for aluminium side boards



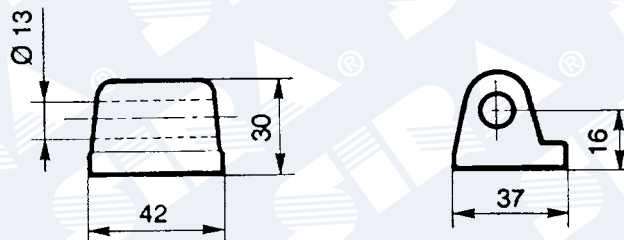
M 10010

Removable male zinc-plated hinge



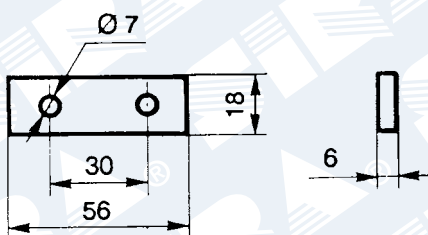
M 10151

Removable spindle male hinge zinc plated



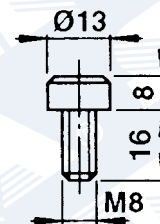
M 10020

Removable raw female hinge



M 15510

Zinc-plated plate

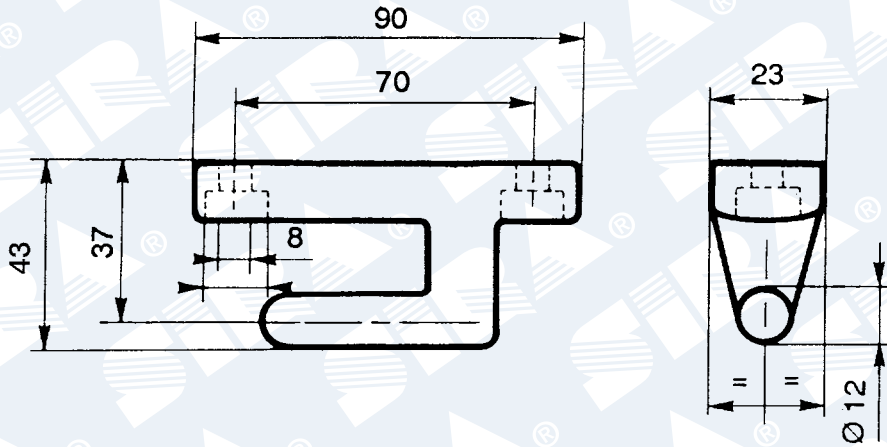


X 40080

Head cup screw 8 x 16 zinc plated

COMPONENTS AND ACCESSORIES FOR FITTING FIXED

Hinges for aluminium side boards

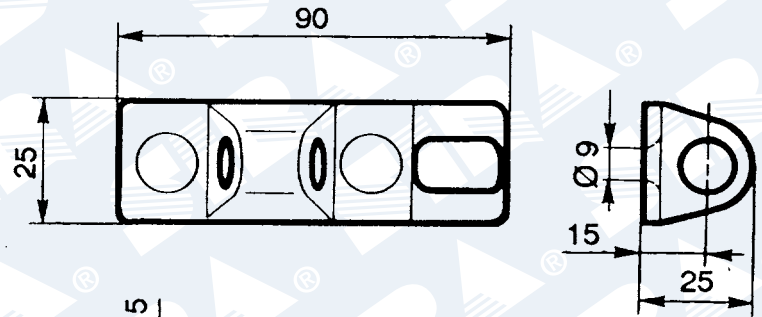


M 10060

Light male zinc plated hinge

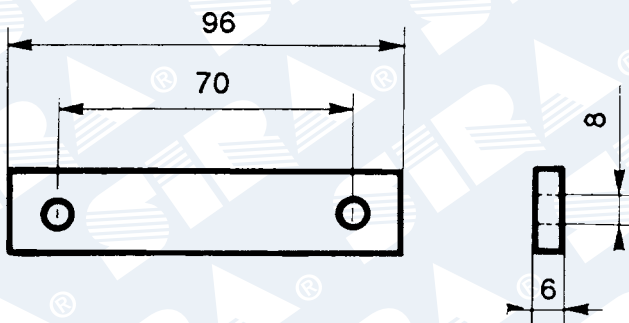
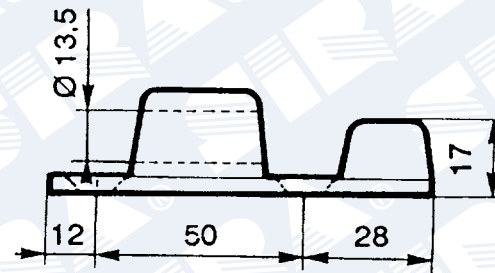
M 10070

Light female raw hinge



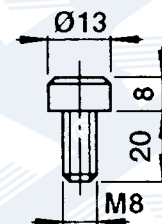
M 10172

Female light zinc plated hinge with holes



M 15540

Zinc-plated plate

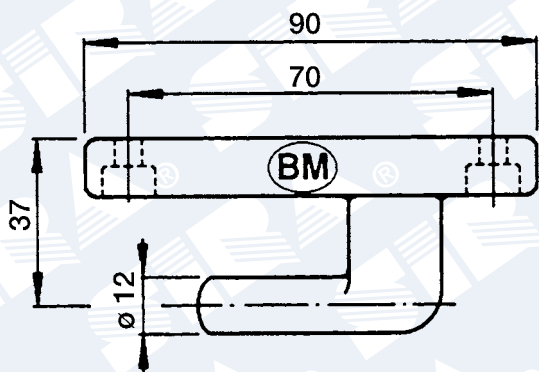


X 40070

Head cup screw 8x20 zinc-plated

COMPONENTS AND ACCESSORIES FOR FITTING FIXED

Hinges for aluminium side boards

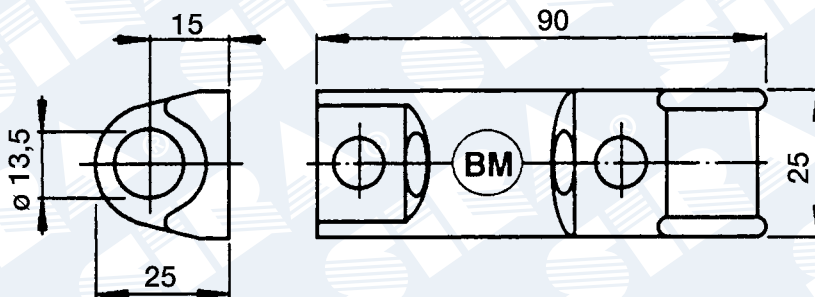


M 10166

Light zinc plated male BM hinge

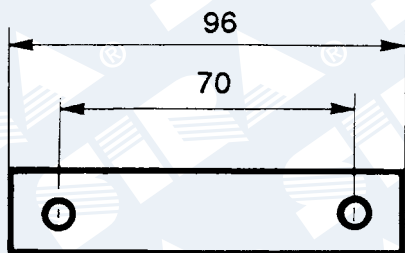
M 10167

Light raw female BM hinge



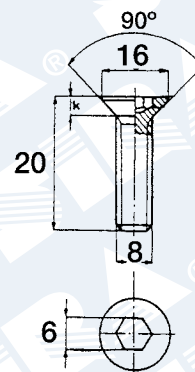
M 10171

Light zinc plated female BM hinge and perforated



M 15540

Zinc-plated plate

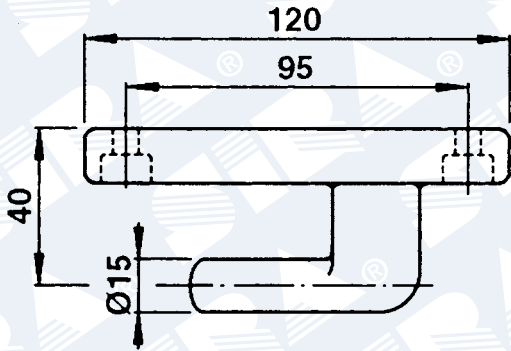


X 40090

Countersunk head screw M 8x20 zinc-plated

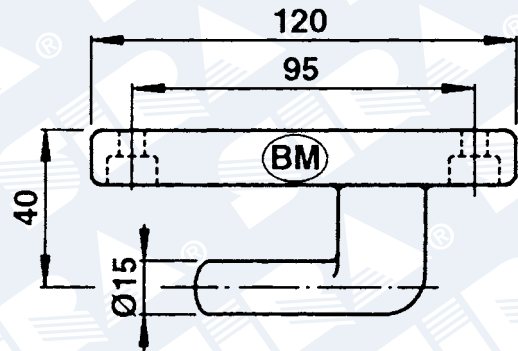
COMPONENTS AND ACCESSORIES FOR FITTING FIXED

Hinges for aluminium side boards



M 10080

Tir male heavy zinc-plated hinge

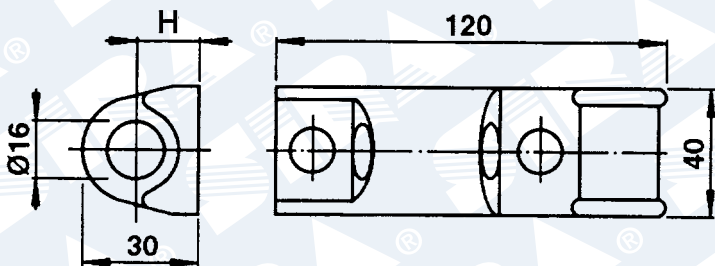


M 10168

Tir male heavy zinc-plated BM hinge

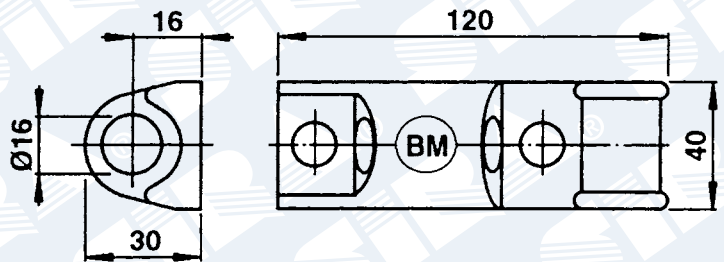
M 10164

Tir male heavy stainless steel hinge



M 10110

Tir female heavy raw hinge $H = 19$



M 10169

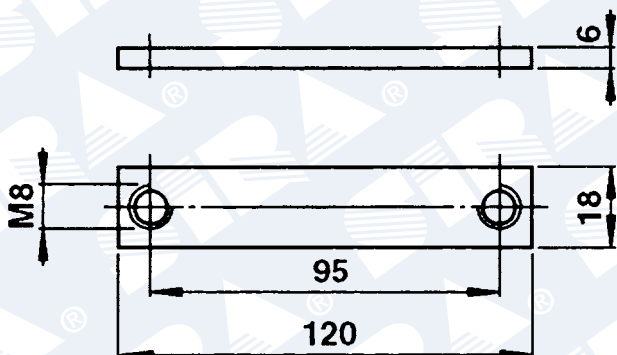
Tir female heavy raw BM hinge

M 10165

Tir female heavy hinge stainless steel $H = 16$

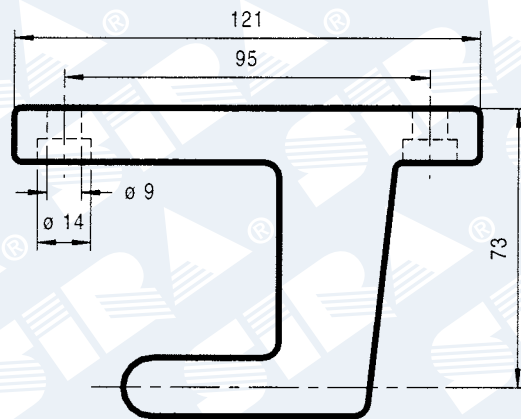
M 10170

Tir female heavy zinc-plated and hinge with holes



M 15550

Zinc-plated plate



M 10090

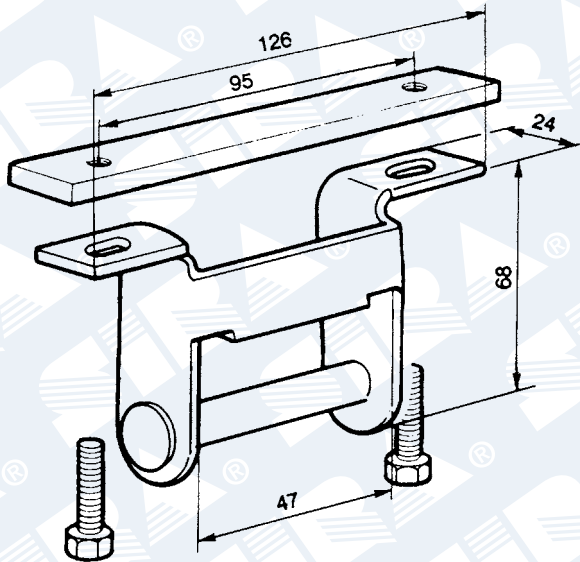
Tir male high zinc-plated hinge

M 10091

Tir male high folded zinc-plated hinge

COMPONENTS AND ACCESSORIES FOR FITTING FIXED

Hinges for aluminium side boards

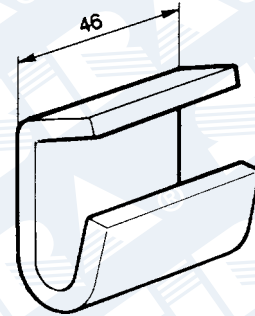


M 10030

Zinc-plated male rapid hinge

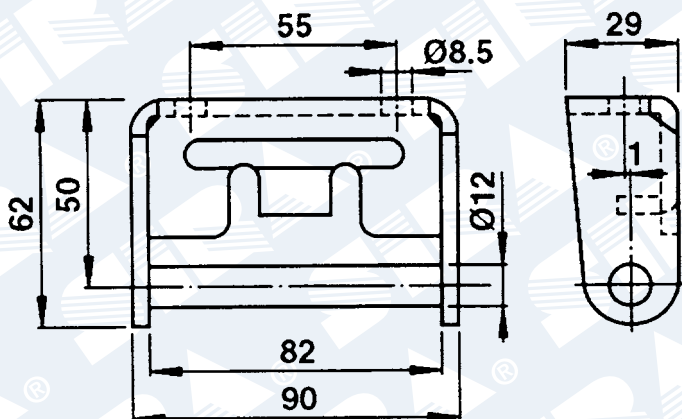
M 15550

Zinc-plated plate



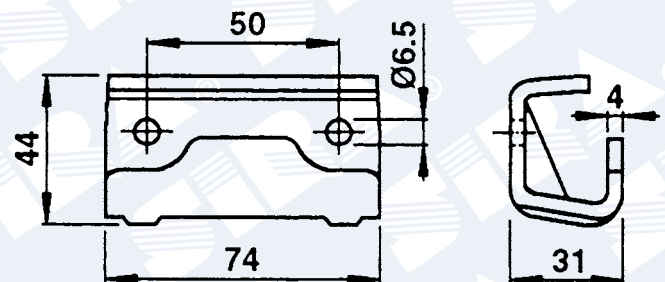
M 10050

Raw female rapid hinge



M 10162

Stainless steel male hinge Viberti type

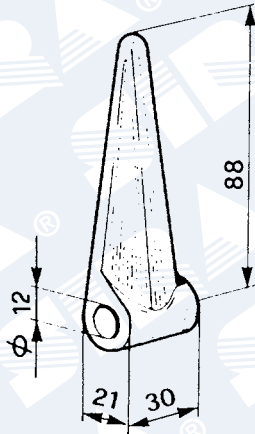


M 10163

Stainless steel female hinge Viberti type

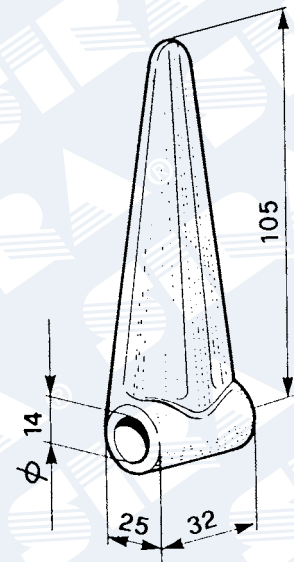
COMPONENTS AND ACCESSORIES FOR FITTING FIXED

Hinges for steel side boards



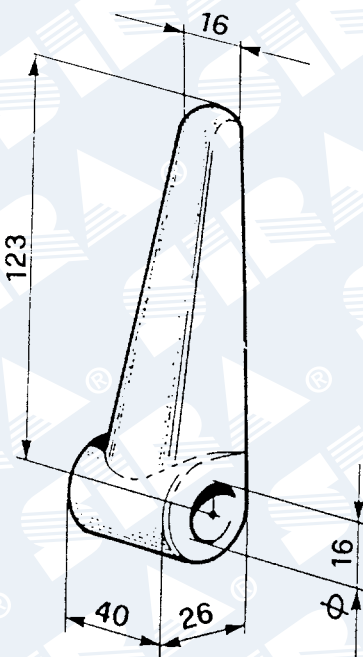
M 20010

Raw rounded light hinge



M 20020

Raw rounded medium hinge

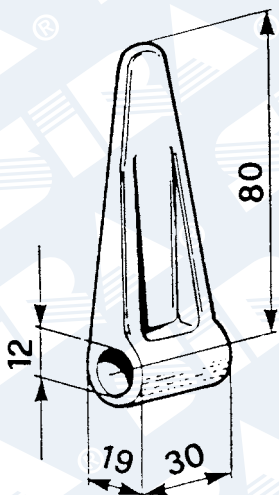


M 20030

Raw rounded heavy hinge

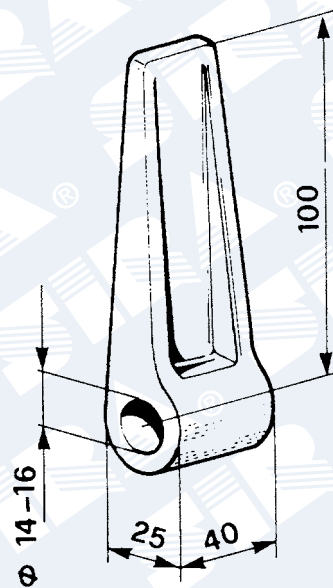
COMPONENTS AND ACCESSORIES FOR FITTING FIXED

Hinges for steel side boards



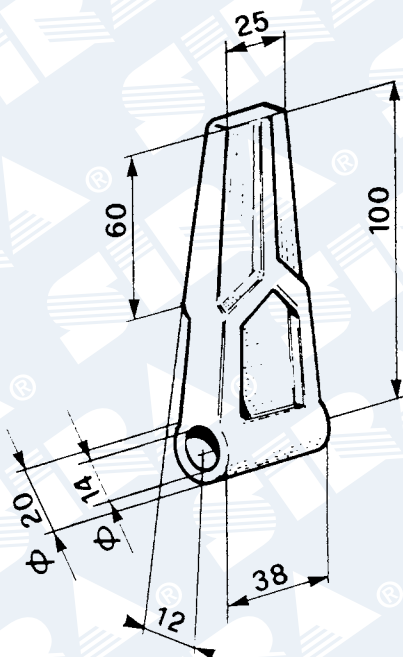
M 20050

Raw flat light hinge



M 20060

Raw flat heavy hinge

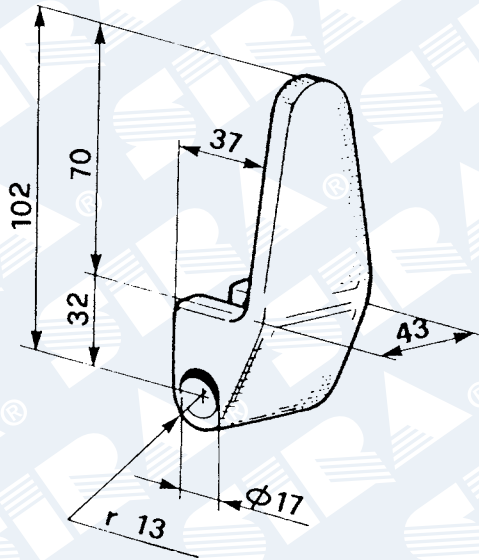


M 20070

Raw flat hinge

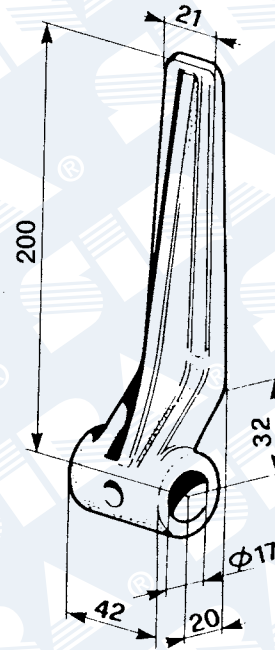
COMPONENTS AND ACCESSORIES FOR FITTING FIXED

Hinges for steel side boards



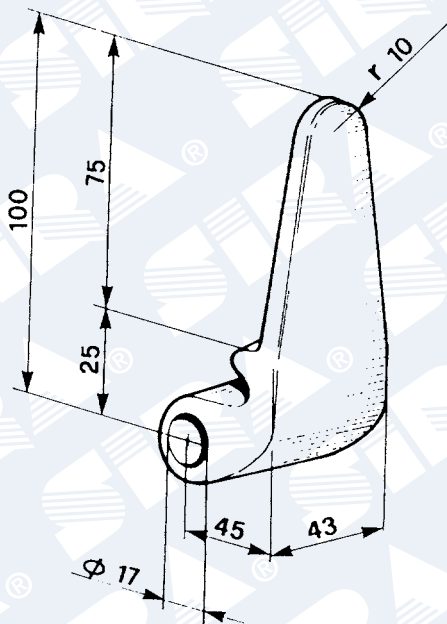
M 20090

Raw bilateral heavy hinge



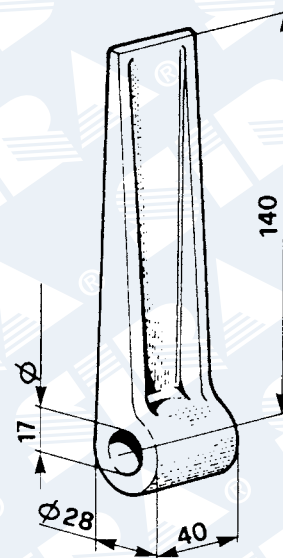
M 20100

Raw bilateral Rome's type hinge



M 20120

Raw bilateral hinge

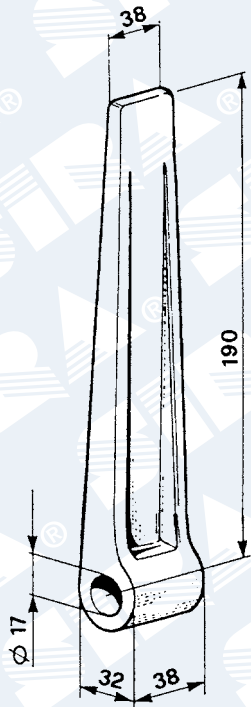


M 20130

Raw straight short hinge Viberti type

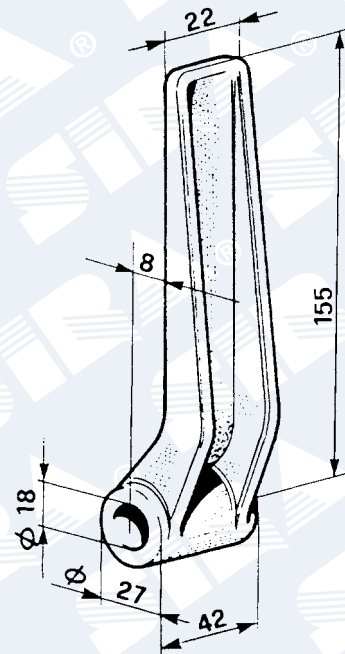
COMPONENTS AND ACCESSORIES FOR FITTING FIXED

Hinges for steel side boards



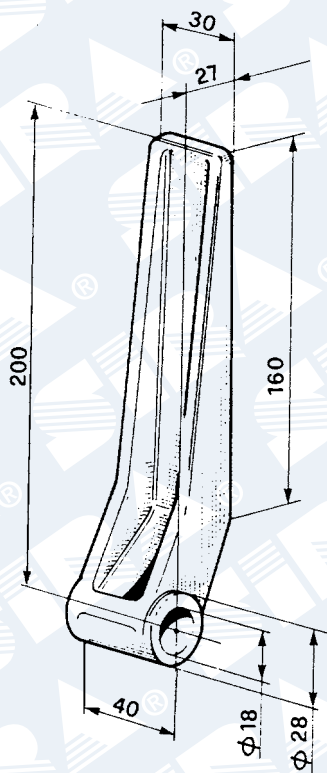
M 20140

Raw straight long hinge Viberti type



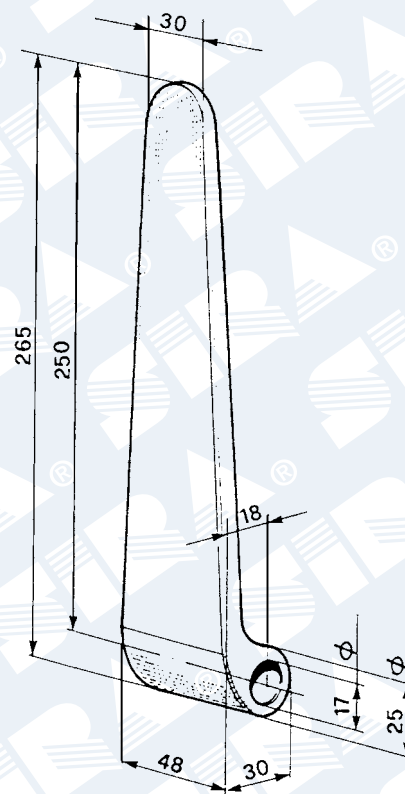
M 20150

Raw curved hinge Viberti type



M 20160

Raw curved hinge

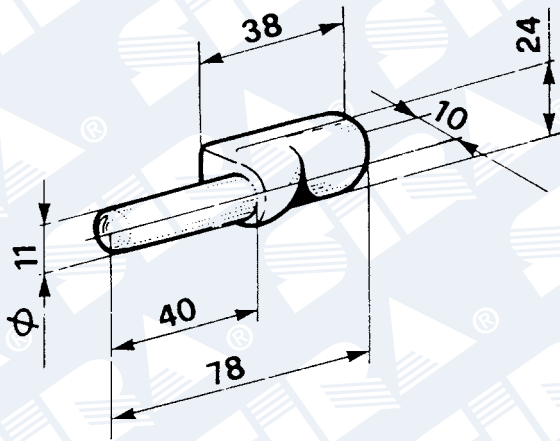


M 20170

Rear zinc-plated long hinge

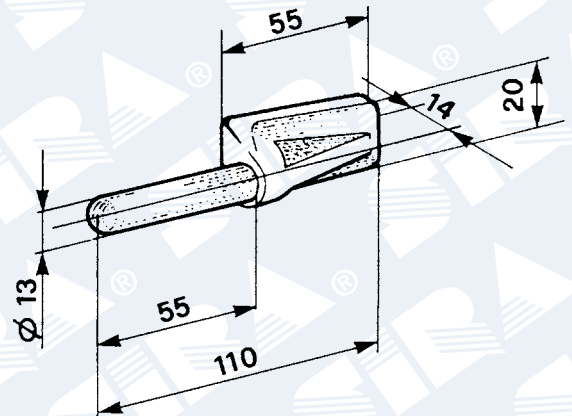
COMPONENTS AND ACCESSORIES FOR FITTING FIXED

Hinges for steel side boards



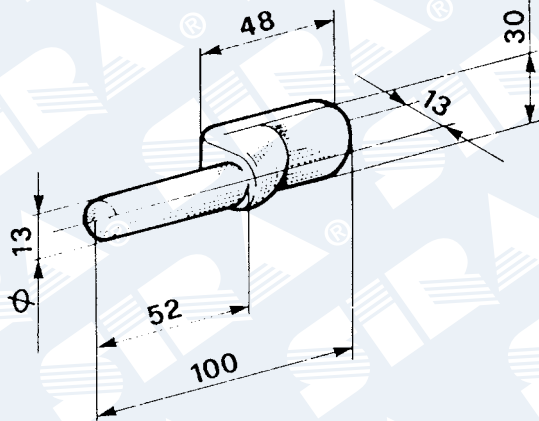
M 25010

Raw pin \varnothing 11



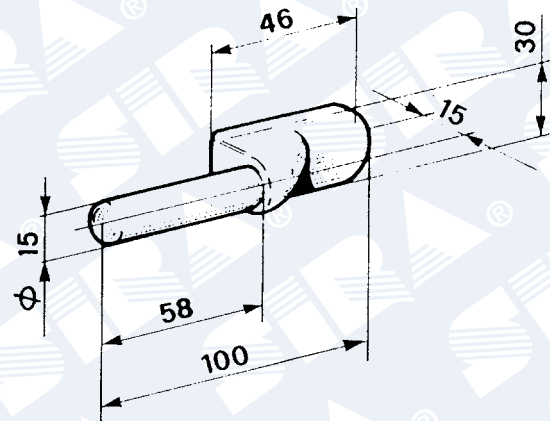
M 25020

Raw high pin \varnothing 13 for flat hinge



M 25030

Raw pin \varnothing 13

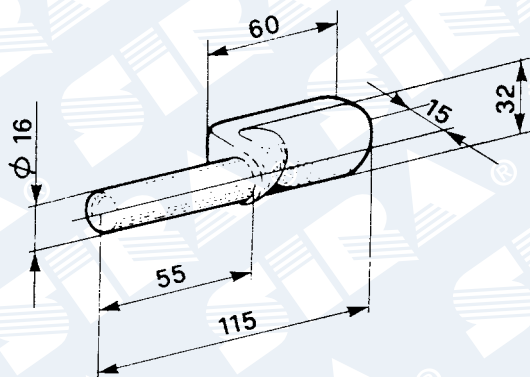


M 25040

Raw pin \varnothing 15

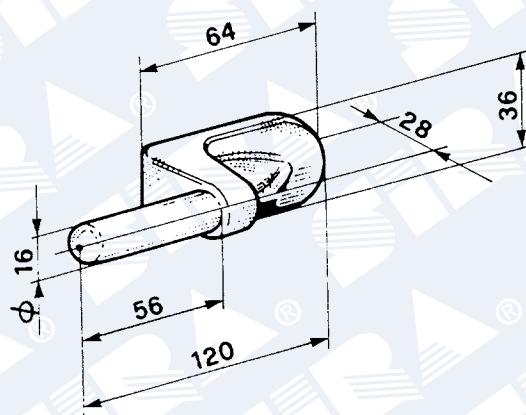
COMPONENTS AND ACCESSORIES FOR FITTING FIXED

Hinges for steel side boards



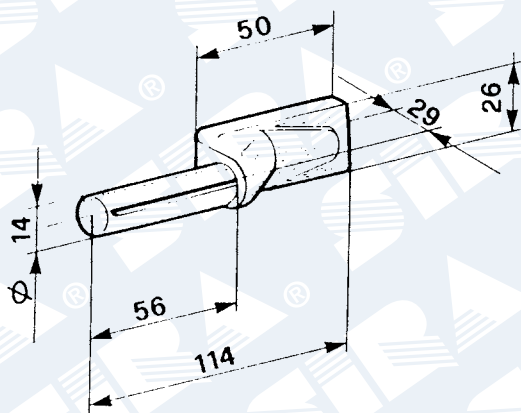
M 25060

Raw pin $\phi 16$



M 25070

Ribbed raw high pin $\phi 16$

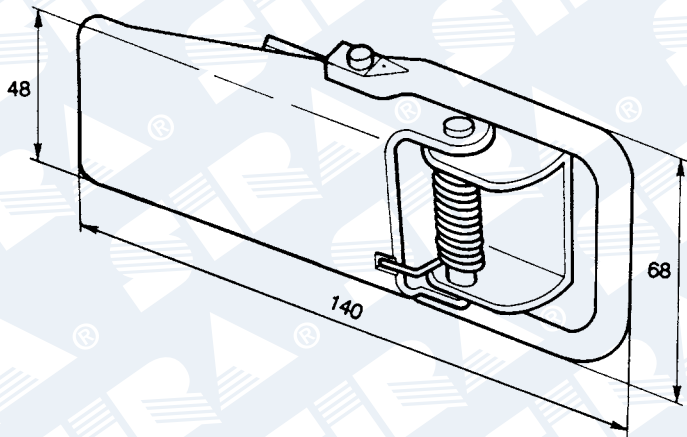


M 25100

Raw pivot $\phi 14$ for rear long zinc-plated hinge

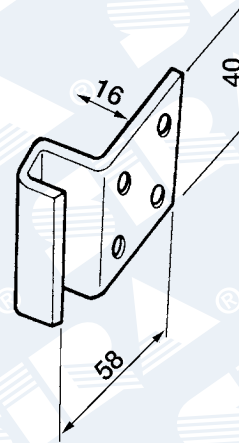
COMPONENTS AND ACCESSORIES FOR FITTING FIXED

External locks for side boards in aluminum



E 65040

Small wire zinc-plated lock



E 65050

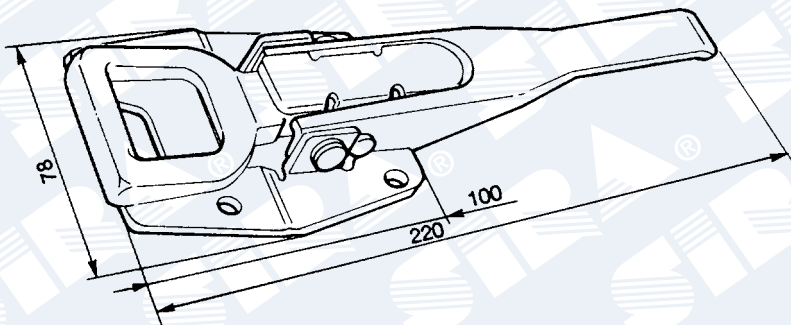
Zinc-plated keeper

E 65057

Stainless steel small wire lock

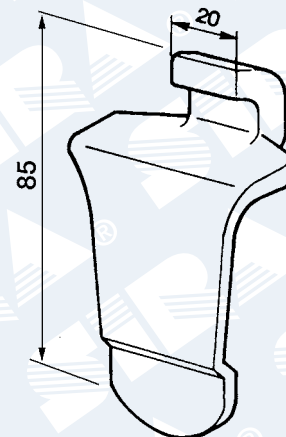
E 65058

Stainless steel keeper



L 25071

Small zinc-plated adjustable ring lock "Wenger" type

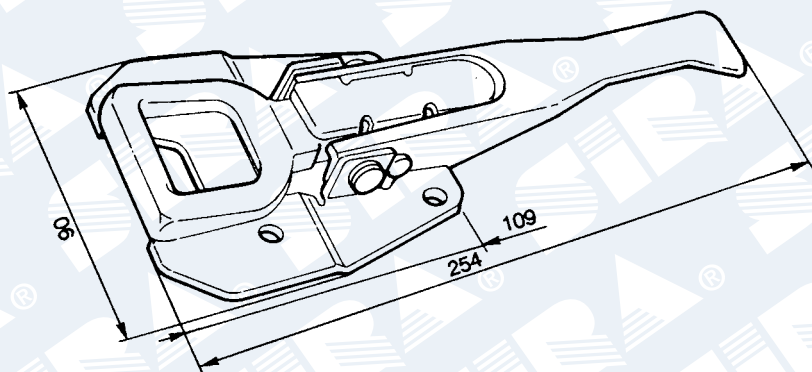


L 25080

Zinc-plated keeper

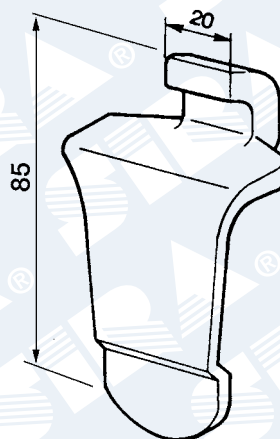
COMPONENTS AND ACCESSORIES FOR FITTING FIXED

External locks for side boards in aluminum



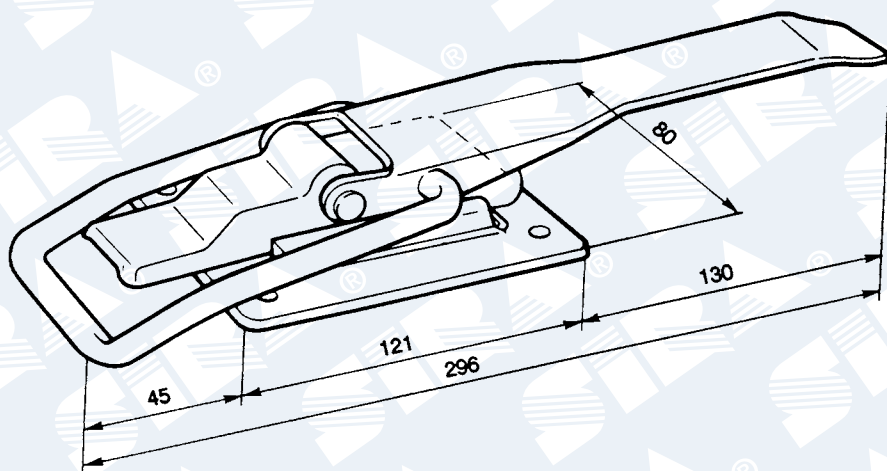
L 25070

Big zinc-plated adjustable ring lock "Wenger" type



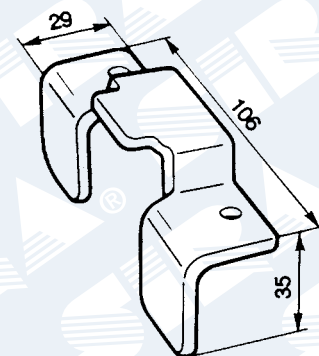
L 25080

Zinc-plated keeper



L 25010

Big wire zinc-plated lock

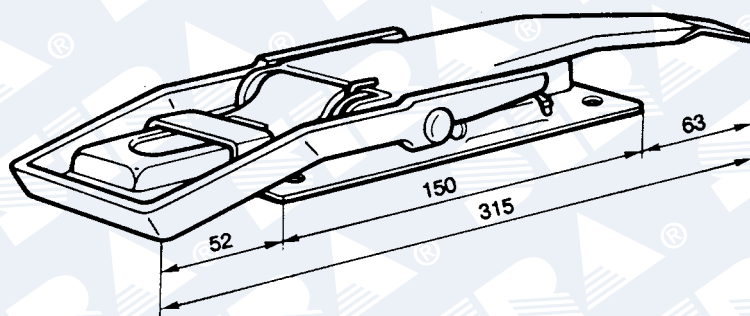


L 25020

Zinc-plated keeper

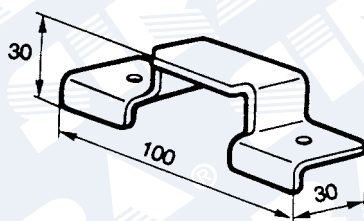
COMPONENTS AND ACCESSORIES FOR FITTING FIXED

External locks for side boards in aluminum



L 25030

Zinc-plated lock "Grifo" type

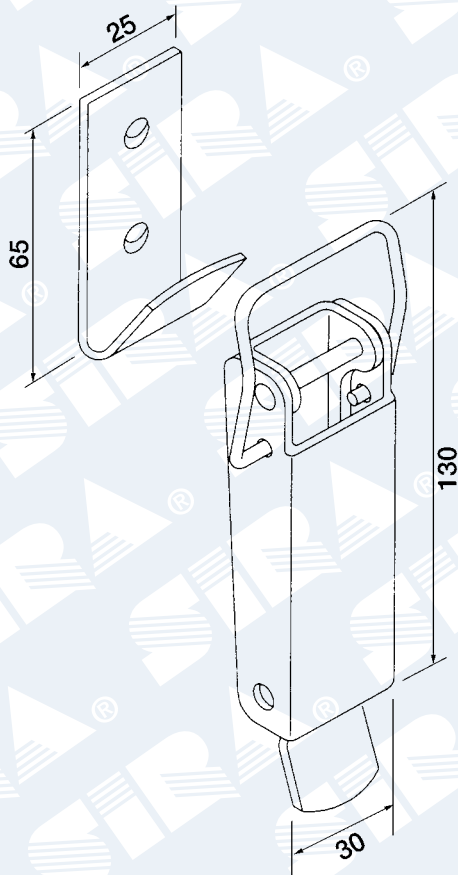


L 25040

Zinc-plated keeper

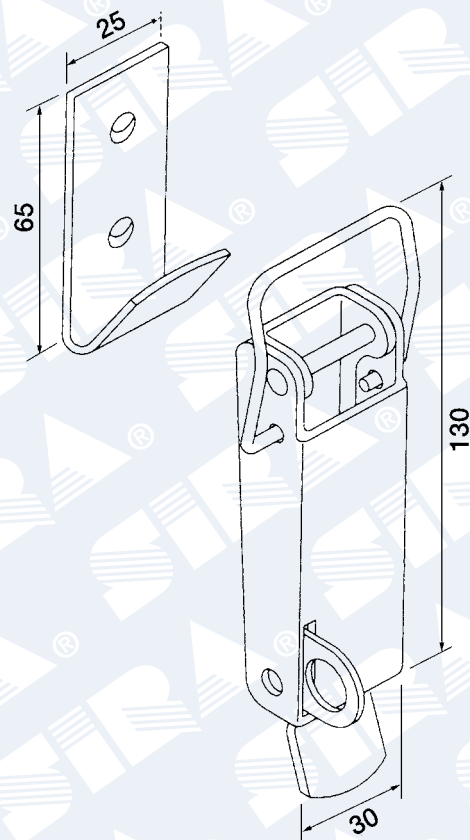
COMPONENTS AND ACCESSORIES FOR FITTING FIXED

External locks for side boards in aluminum



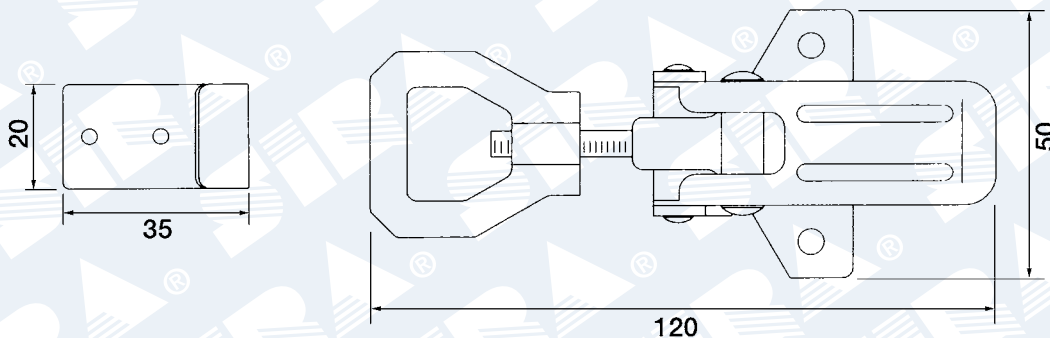
R 35070

Zinc-plated lock with keeper



R 35090

Stainless steel Aisi 304 fastening with padlock support and keeper

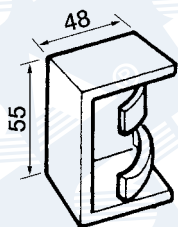


R 35080

Nickel adjustable lock with keeper

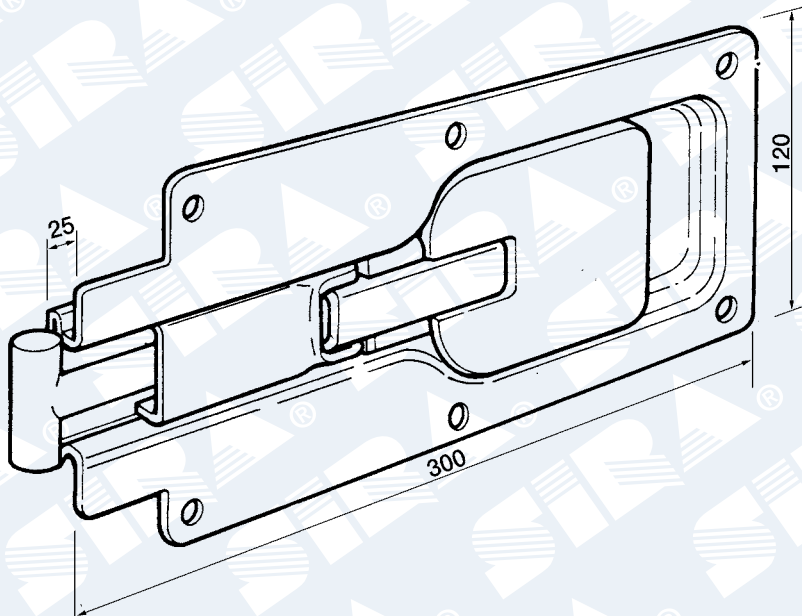
COMPONENTS AND ACCESSORIES FOR FITTING FIXED

Embedded locks for aluminium side boards



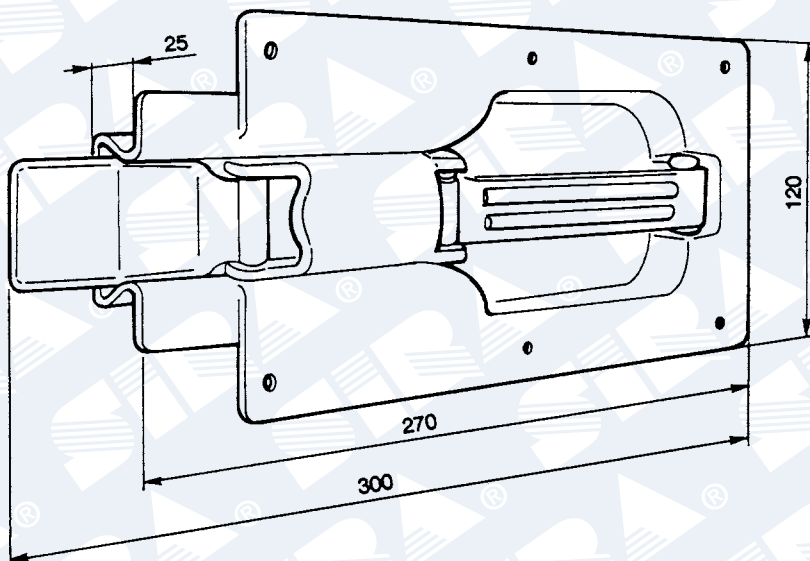
L 25120

Zinc-plated keeper



L 25110

Zinc-plated lock type "T"



L 25100

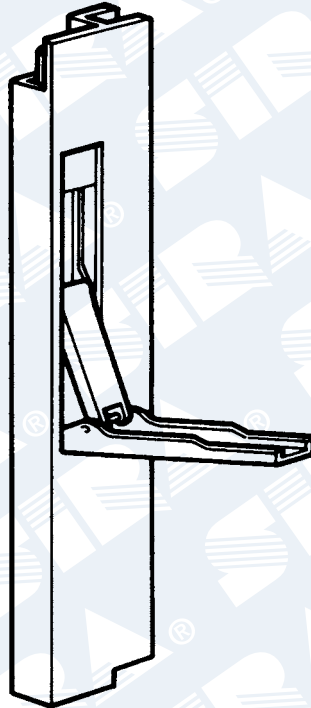
Zinc-plated lock type "P"

COMPONENTS AND ACCESSORIES FOR FITTING FIXED

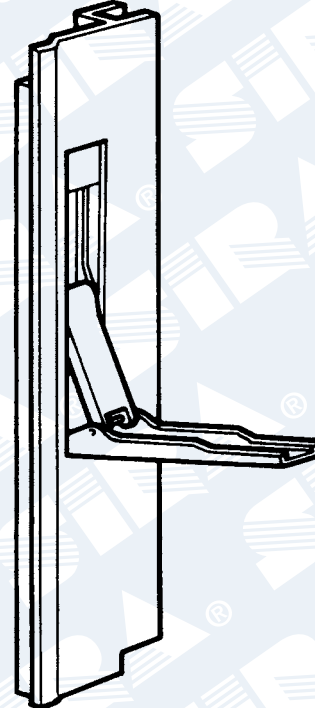
Embedded locks for aluminium side boards

Anodized aluminium
“Planae” locks,
with metal lever

Without ledge



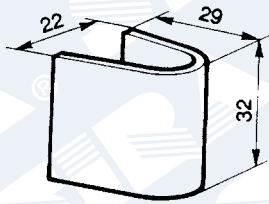
With ledge



Article code	Height mm	Description	Variant
L 30050	400	Right without ledge	–
L 30060	400	Left without ledge	–
L 30070	400	Right with ledge	–
L 30080	400	Left with ledge	–
L 30090	500	With no right ledge	–
L 30100	500	With no left ledge	–
L 30110	500	With right ledge	–
L 30120	500	With left ledge	–
L 30130	600	With no right ledge	–
L 30140	600	With no left ledge	–
L 30150	600	With right ledge	–
L 30160	600	With left ledge	–
L 30170	800	With no right ledge	Low lever
L 30180	800	With no left ledge	Low lever
L 30190	800	With right ledge	Low lever
L 30200	800	With left ledge	Low lever
L 30210	1000	With no right ledge	Low lever
L 30220	1000	With no left ledge	Low lever
L 30230	1000	With right ledge	Low lever
L 30240	1000	With left ledge	Low lever

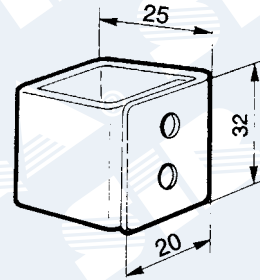
COMPONENTS AND ACCESSORIES FOR FITTING FIXED

Accessories for aluminium side boards



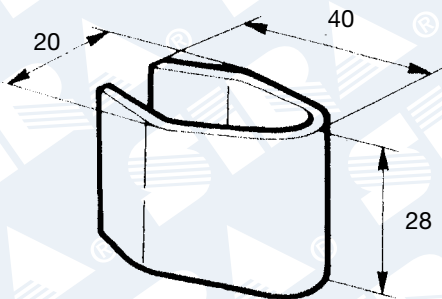
L 40170

Raw ratchet for welding



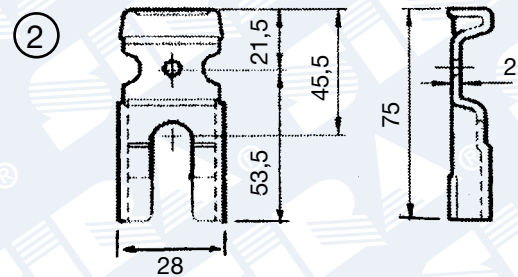
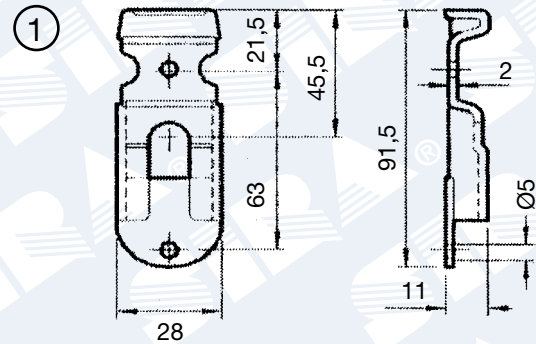
L 40160

Zinc-plated ratchet to screw



L 40191

Raw long ratchet for welding



L 40180

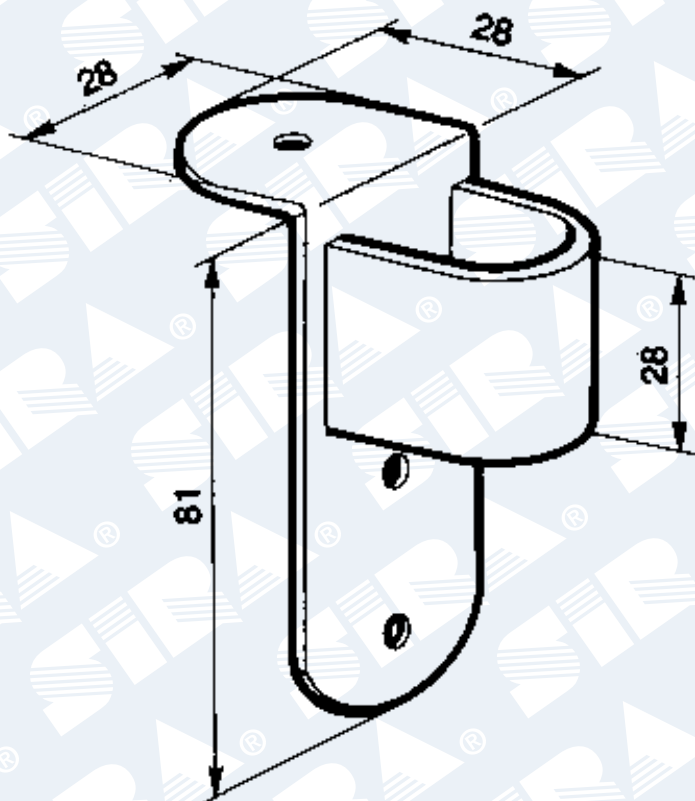
Zinc-plated ratchet to be riveted

L 40181

Raw ratchet for welding

COMPONENTS AND ACCESSORIES FOR FITTING FIXED

Accessories for aluminium closures

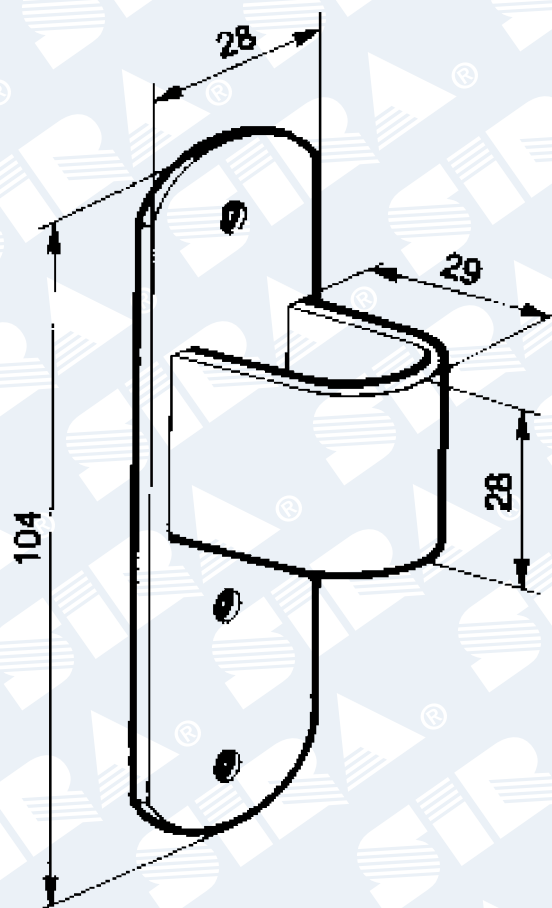


L 40192

Zinc-plated angle drilled keeper

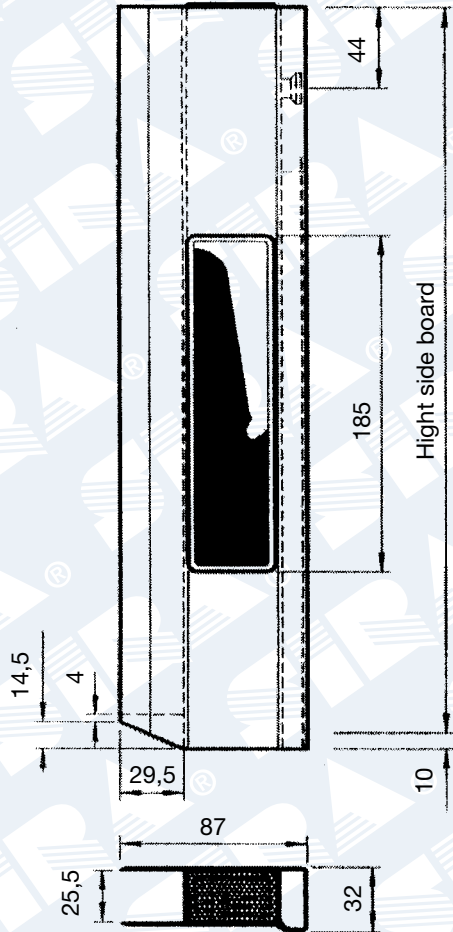
L 40193

Zinc-plated straight drilled keeper

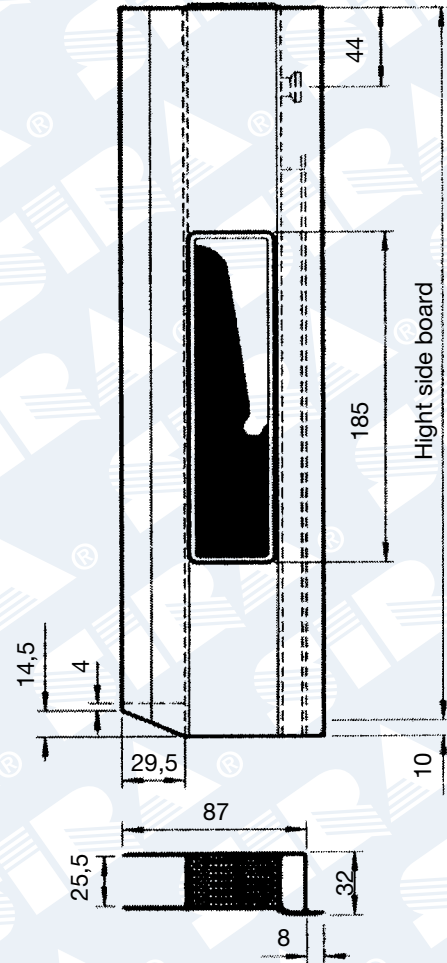


COMPONENTS AND ACCESSORIES FOR FITTING FIXED

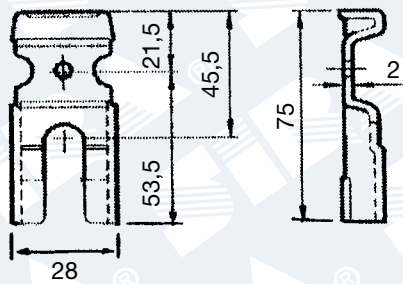
ALUX locks for aluminium side boards



Front lock without right ledge

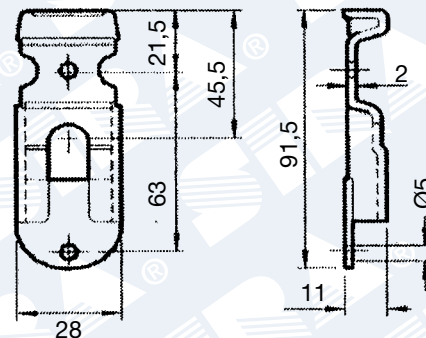


Front lock with right ledge



L 40181

Raw ratchet for welding

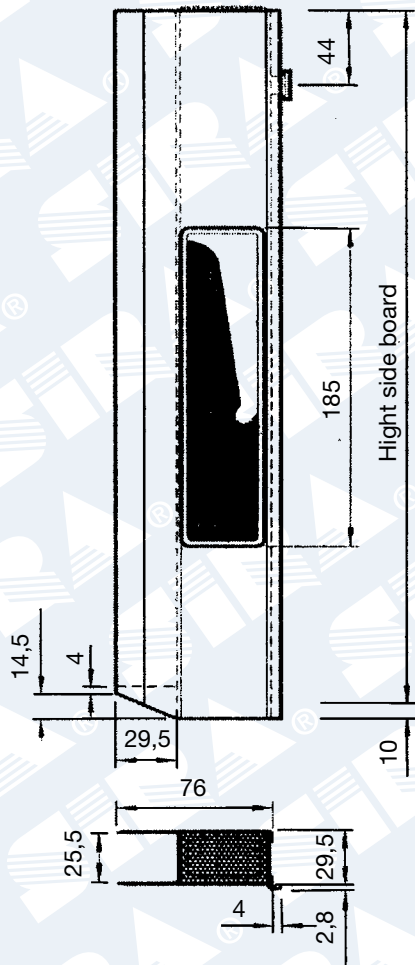


L 40180

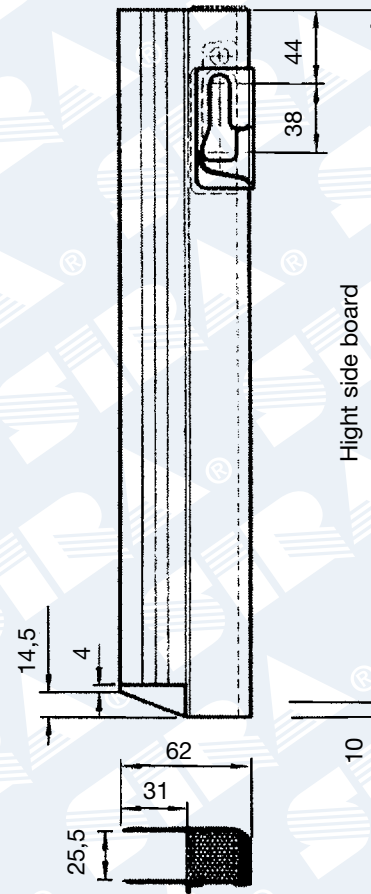
Zinc-plated ratchet to be riveted

COMPONENTS AND ACCESSORIES FOR FITTING FIXED

ALUX locks for aluminium side boards



Rear lock with right ledge



Rear right side board head

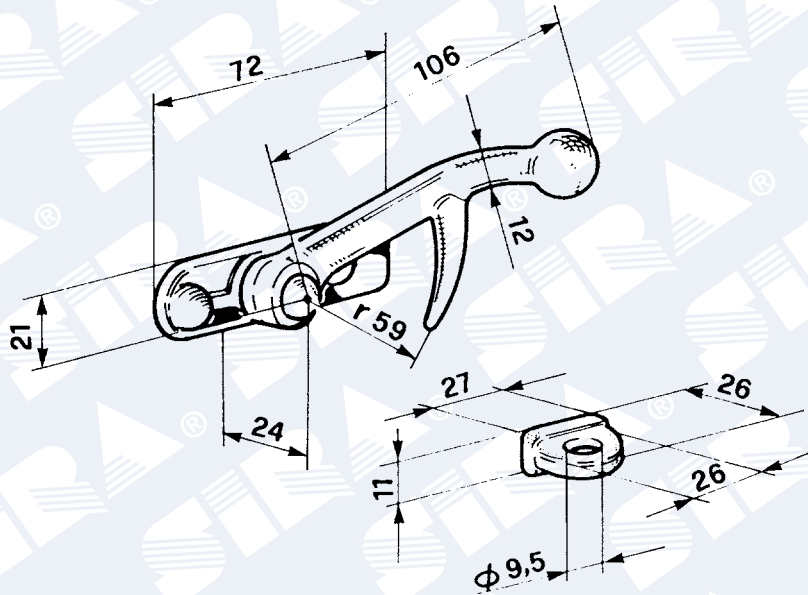
COMPONENTS AND ACCESSORIES FOR FITTING FIXED

ALUX locks for aluminium side boards

Code	H.	Description
L 30241	400	Front ALUX lock with no right ledge
L 30242		Front ALUX lock with no left ledge
L 30247		Front ALUX lock with right ledge
L 30248		Front ALUX lock with left ledge
L 30249		Rear ALUX lock with right ledge
L 30250		Rear ALUX lock with left ledge
L 30245		Rear ALUX lock right
L 30246		Rear ALUX lock left
L 30257	500	Front ALUX lock with no right ledge
L 30258		Front ALUX lock with no left ledge
L 30251		Front ALUX lock with right ledge
L 30252		Front ALUX lock with left ledge
L 30259		Rear ALUX lock with right ledge
L 30260		Rear ALUX lock with left ledge
L 30255		Rear ALUX lock right
L 30256		Rear ALUX lock left
L 30267	600	Front ALUX lock with no right ledge
L 30268		Front ALUX lock with no left ledge
L 30261		Front ALUX lock with right ledge
L 30262		Front ALUX lock with left ledge
L 30269		Rear ALUX lock with right ledge
L 30270		Rear ALUX lock with left ledge
L 30265		Rear ALUX side board head right side
L 30266		Rear ALUX board head left side
L 40180		Zinc-plated ALUX ratchet
L 40181		Raw ALUX ratchet

COMPONENTS AND ACCESSORIES FOR FITTING FIXED

Stainless steel locks for side boards



Right picture

L 10030

Raw slight knob clamp right side

L 10040

Raw slight knob clamp left side

L 10050

Raw slight ring bolt

L 10060

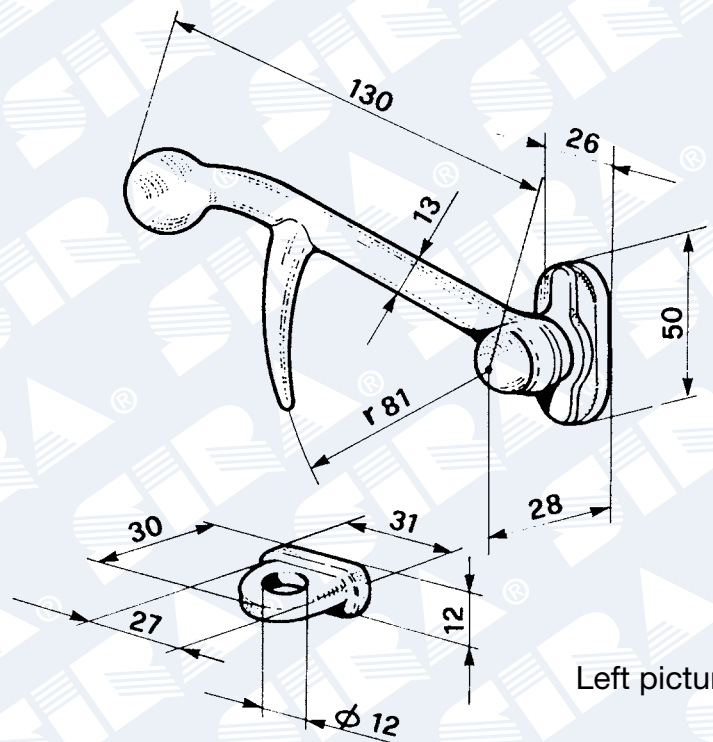
Raw light knob clamp right side

L 10070

Raw light knob clamp left side

L 10080

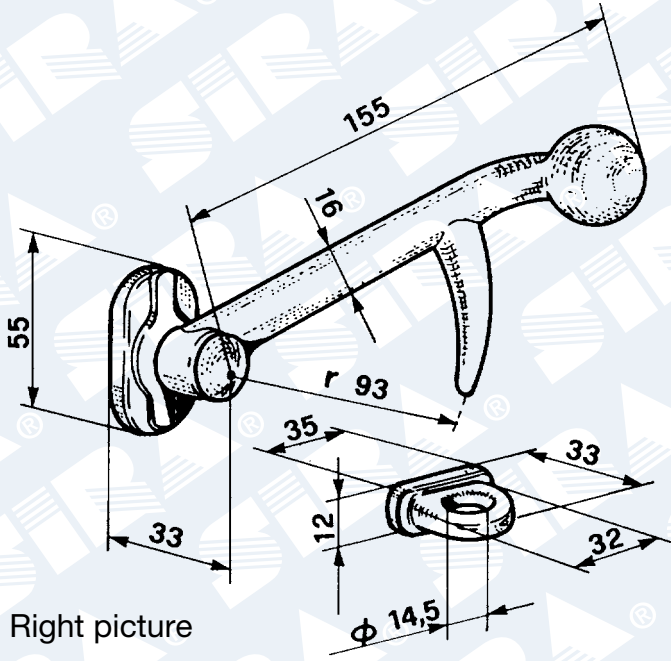
Raw light ring bolt



Left picture

COMPONENTS AND ACCESSORIES FOR FITTING FIXED

Stainless steel locks for side boards



Right picture

L 10090

Raw medium knob clamp right side

L 10100

Raw medium knob clamp left side

L 10110

Raw medium ring bolt

L 10120

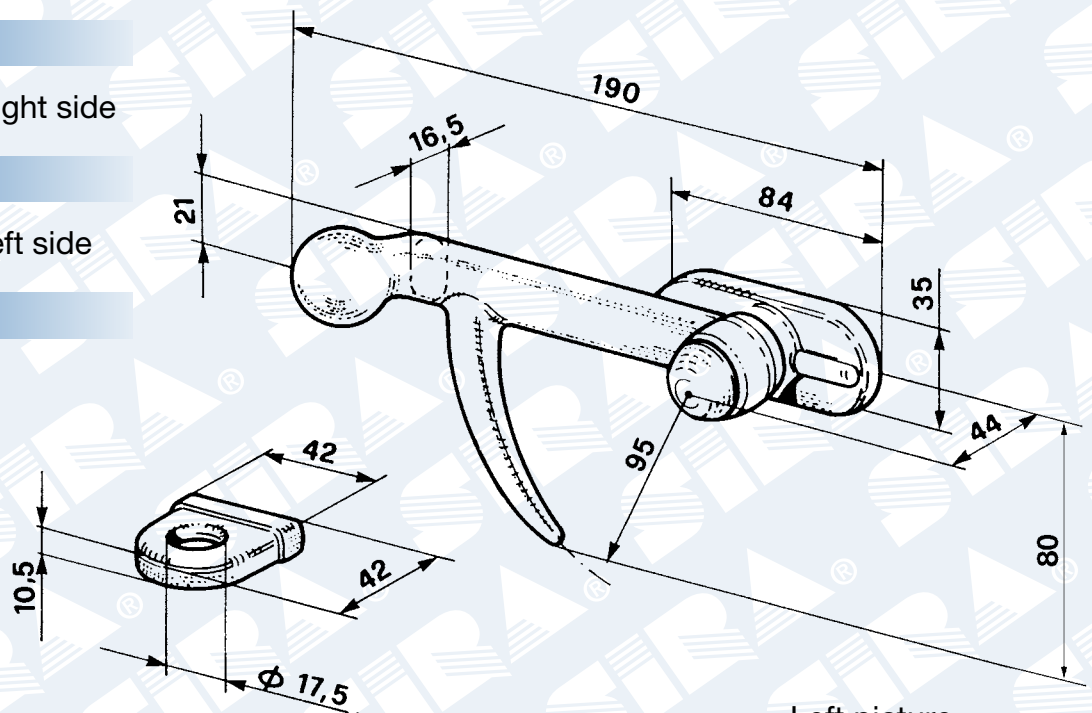
Raw heavy knob clamp right side

L 10130

Raw heavy knob clamp left side

L 10160

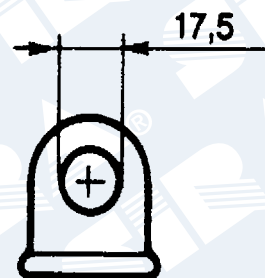
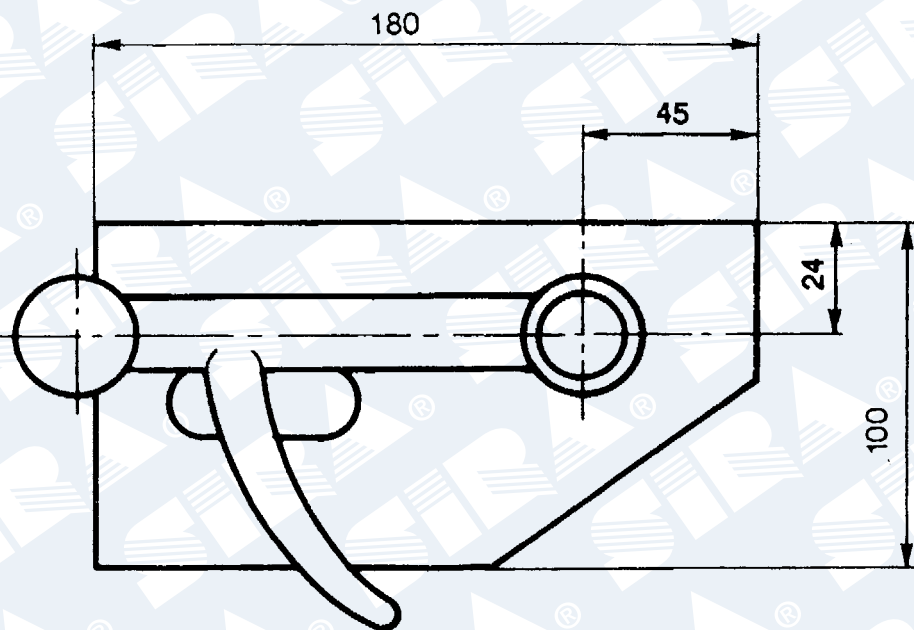
Raw heavy ring bolt



Left picture

COMPONENTS AND ACCESSORIES FOR FITTING FIXED

Stainless steel locks for side boards



L 10160

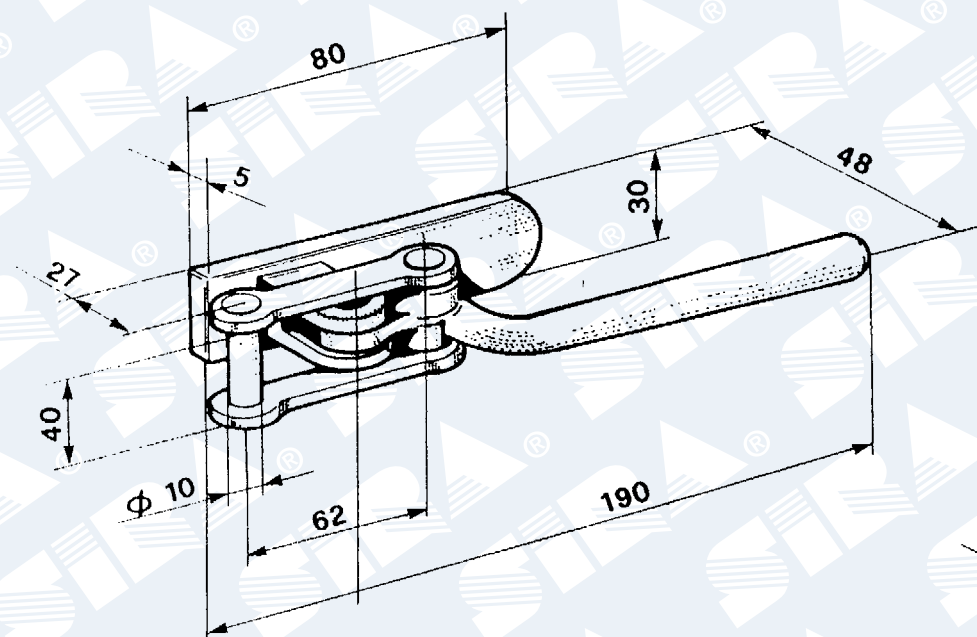
Heavy ring bolt

L 10170

Heavy clamp with plate right side

L 10180

Heavy clamp with plate left side



L 15130

Raw square ring clamp

L 15140

Raw slip

