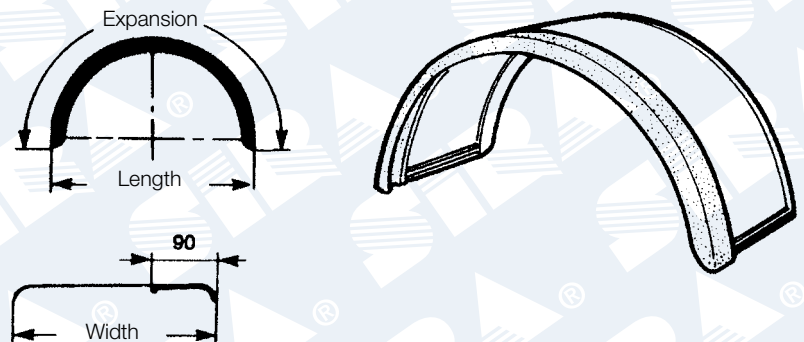


MUDGUARDS AND SUPPORTS FOR UNDER-CHASSIS

Mudguard 1 axle



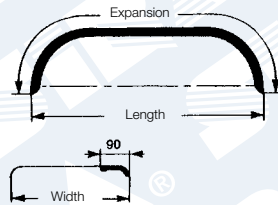
<i>Indicative application</i>	<i>Development mm dimensions</i>		<i>width</i>	<i>Type plate</i>	<i>Code article</i>
	<i>length</i>				
FIAT DUCATO	1250	800	220	zinc plated / rubber	S 10000
				anti-reflex stainless steel	S 15000
				stainless steel / rubber	S 20000
				anti-reflex stainless steel / rubber	S 25000
IVECO DAILY MERCEDES SPRINTER SINGLE WHEEL	1360	880	270	zinc plated / rubber	S 10001
				anti-reflex stainless steel	S 15001
				stainless steel / rubber	S 20001
				anti-reflex stainless steel / rubber	S 25001
IVECO DAILY MERCEDES SPRINTER TWIN WHEEL	1360	880	400	zinc plated / rubber	S 10002
				anti-reflex stainless steel	S 15002
				stainless steel / rubber	S 20002
				anti-reflex stainless steel / rubber	S 25002
IVECO OM 40	1360	880	450	zinc plated / rubber	S 10291
				anti-reflex stainless steel / rubber	S 25291
				zinc plated / rubber	S 10003
				anti-reflex stainless steel	S 15003
IVECO 50/60/70	1520	1000	450	zinc plated / rubber	S 10004
				anti-reflex stainless steel	S 15004
				stainless steel / rubber	S 20004
				anti-reflex stainless steel / rubber	S 25004
IVECO 79-14 IVECO EURO CARGO	1520	1000	500	zinc plated / rubber	S 10005
				anti-reflex stainless steel	S 15005
				stainless steel / rubber	S 20005
				anti-reflex stainless steel / rubber	S 25005

MUDGUARDS AND SUPPORTS FOR UNDER-CHASSIS

<i>Indicative application</i>	<i>Development mm dimensions</i>		<i>length</i>	<i>width</i>	<i>Type plate</i>	<i>Code article</i>
IVECO 80/90	1620	1100	500	zinc plated / rubber	S 10006	
				anti-reflex stainless steel	S 15006	
				stainless steel / rubber	S 20006	
				anti-reflex stainless steel / rubber	S 25006	
IVECO 95-14	1570	1000	550	zinc plated / rubber	S 10007	
				anti-reflex stainless steel	S 15007	
				stainless steel / rubber	S 20007	
				anti-reflex stainless steel / rubber	S 25007	
IVECO 109-14 IVECO 115-14	1700	1100	550	zinc plated / rubber	S 10008	
				anti-reflex stainless steel	S 15008	
				stainless steel / rubber	S 20008	
				anti-reflex stainless steel / rubber	S 25008	
IVECO 135-17	1800	1170	600	zinc plated / rubber	S 10009	
				anti-reflex stainless steel	S 15009	
				stainless steel / rubber	S 20009	
				anti-reflex stainless steel / rubber	S 25009	
IVECO 145-17	1800	1200	650	zinc plated / rubber	S 10029	
				anti-reflex stainless steel	S 15029	
				stainless steel / rubber	S 20029	
				anti-reflex stainless steel / rubber	S 25029	
IVECO 110/130	2000	1260	550	zinc plated / rubber	S 10010	
				anti-reflex stainless steel	S 15010	
				stainless steel / rubber	S 20010	
				anti-reflex stainless steel / rubber	S 25010	
IVECO 190	2100	1340	600	zinc plated / rubber	S 10011	
				anti-reflex stainless steel	S 15011	
				stainless steel / rubber	S 20011	
				anti-reflex stainless steel / rubber	S 25011	
	2100	1340	650	zinc plated / rubber	S 10012	
				anti-reflex stainless steel	S 15012	
				stainless steel / rubber	S 20012	
				anti-reflex stainless steel / rubber	S 25012	

MUDGUARDS AND SUPPORTS FOR UNDER-CHASSIS

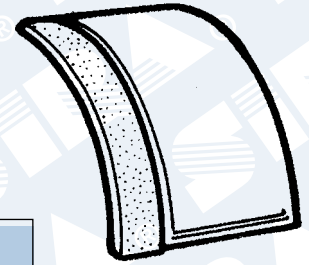
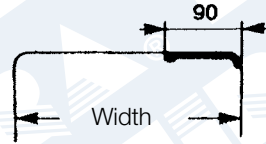
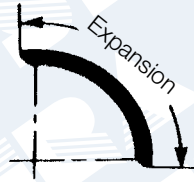
Mudguard 2 or 3 axles



Indicative application	Development mm		Type plate	Code article
	dimensions	length		
643/110-130	3300	2540	zinc plated / rubber	S 10013
			anti-reflex stainless steel	S 15013
			stainless steel / rubber	S 20013
			anti-reflex stainless steel / rubber	S 25013
682-690/180	3400	2640	zinc plated / rubber	S 10014
			anti-reflex stainless steel	S 15014
			stainless steel / rubber	S 20014
			anti-reflex stainless steel / rubber	S 25014
	3400	2640	zinc plated / rubber	S 10015
			anti-reflex stainless steel	S 15015
			stainless steel / rubber	S 20015
			anti-reflex stainless steel / rubber	S 25015
170/190	3500	2740	zinc plated / rubber	S 10016
			anti-reflex stainless steel	S 15016
			stainless steel / rubber	S 20016
			anti-reflex stainless steel / rubber	S 25016
	3500	2740	zinc plated / rubber	S 10017
			anti-reflex stainless steel	S 15017
			stainless steel / rubber	S 20017
			anti-reflex stainless steel / rubber	S 25017

MUDGUARDS AND SUPPORTS FOR UNDER-CHASSIS

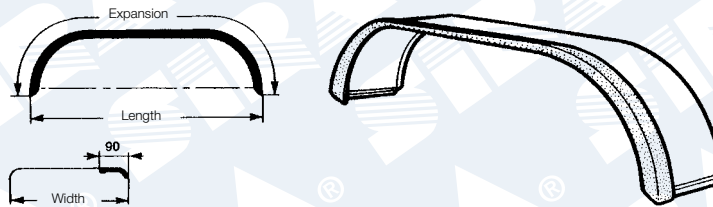
Rear half wing



Scale mm development	width	Type plate	Code article
600	600	zinc plated / rubber	S 10020
		anti-reflex stainless steel	S 15020
		stainless steel / rubber	S 20020
		anti-reflex stainless steel / rubber	S 25020
700	500	zinc plated / rubber	S 10021
		anti-reflex stainless steel	S 15021
		stainless steel / rubber	S 20021
		anti-reflex stainless steel / rubber	S 25021
700	600	zinc plated / rubber	S 10022
		anti-reflex stainless steel	S 15022
		stainless steel / rubber	S 20022
		anti-reflex stainless steel / rubber	S 25022
700	650	zinc plated / rubber	S 10036
		anti-reflex stainless steel	S 15030
		stainless steel / rubber	S 20030
		anti-reflex stainless steel / rubber	S 25030
800	500	zinc plated / rubber	S 10023
		anti-reflex stainless steel	S 15023
		stainless steel / rubber	S 20023
		anti-reflex stainless steel / rubber	S 25023
800	600	zinc plated / rubber	S 10024
		anti-reflex stainless steel	S 15024
		stainless steel / rubber	S 20024
		anti-reflex stainless steel / rubber	S 25024
800	650	zinc plated / rubber	S 10025
		anti-reflex stainless steel	S 15025
		stainless steel / rubber	S 20025
		anti-reflex stainless steel / rubber	S 25025
1000	600	zinc plated / rubber	S 10026
		anti-reflex stainless steel	S 15026
		stainless steel / rubber	S 20026
		anti-reflex stainless steel / rubber	S 25026
1200	600	zinc plated / rubber	S 10027
		anti-reflex stainless steel	S 15027
		inox / gomme	S 20027
		anti-reflex stainless steel / rubber	S 25027

MUDGUARDS AND SUPPORTS FOR UNDER-CHASSIS

Mudguard for trailers



Indicative application	Development mm dimensions	length	width	Type plate	Code article
Trailer truck	5000	4100	450	zinc plated / rubber	S 10018
				anti-reflex stainless steel	S 15018
				stainless steel / rubber	S 20018
				anti-reflex stainless steel / rubber	S 25018
	5000	4100	500	zinc plated / rubber	S 10040
				anti-reflex stainless steel	S 15040
				stainless steel / rubber	S 20040
				anti-reflex stainless steel / rubber	S 25040
	5000	4100	550	zinc plated / rubber	S 10041
				stainless steel / rubber	S 20041
	5000	4100	600	zinc plated / gomma	S 10042
				anti-reflex stainless steel	S 15042
				stainless steel / rubber	S 20042
				anti-reflex stainless steel / rubber	S 25042
	5000	4100	650	zinc plated / rubber	S 10043
				anti-reflex stainless steel	S 15043
				stainless steel / rubber	S 20043
				anti-reflex stainless steel / rubber	S 25043

Tank mudguards



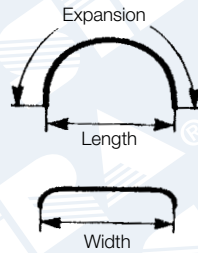
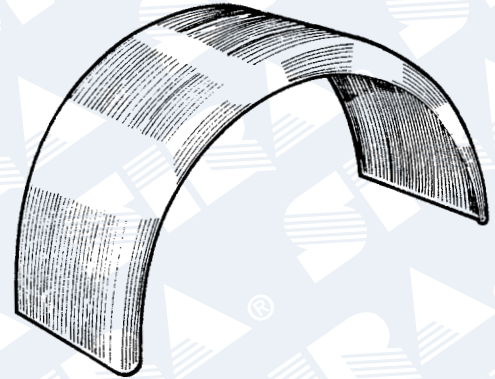
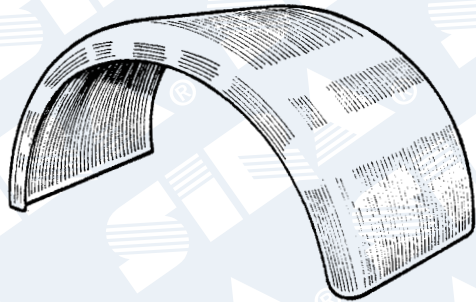
Indicative application	Development mm dimensions	width	Type plate	Code article
TANK MUDGUARD	7800	450*	zinc plated / rubber	S 10019
		500*	anti-reflex stainless steel	S 15019
		600*	stainless steel / rubber	S 20019
		650*	anti-reflex stainless steel / rubber	S 25019

* Widths available in all versions

MUDGUARDS AND SUPPORTS FOR UNDER-CHASSIS

Mudguard made on polypropylene 1 axle

RECYCLABLE MATERIAL
ACCORDING TO EEC STANDARDS

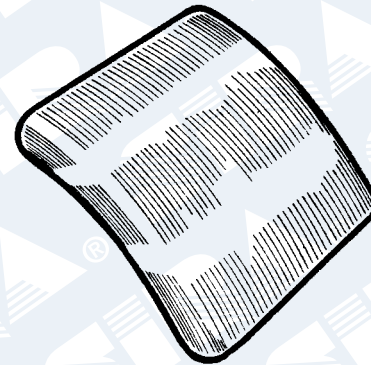
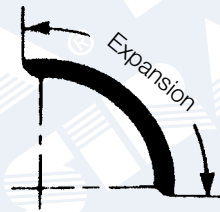


<i>Indicative application</i>	<i>Development mm dimensions</i>	<i>length</i>	<i>width</i>	<i>Code article</i>
IVECO DAILY	1380	880	270	S 30001
MERCEDES SPRINTER SINGLE WHEEL				
IVECO DAILY	1380	880	400	S 30002
MERCEDES SPRINTER TWIN WHEEL			450	S 30029
IVECO 79-14 IVECO EUROCARGO	1570	1000	500	S 30005
IVECO 109-14/115-17	1700	1100	550	S 30008
IVECO 135-17	1800	1170	600	S 30009
IVECO 190	1900	1300	650	S 30030
	2100	1340	650	S 30012
P.V.C. PILOT	1900	1300	450	S 30018
MUDGUARD	2100	1340	450	S 30019

MUDGUARDS AND SUPPORTS FOR UNDER-CHASSIS

Rear half wing made in polypropylene

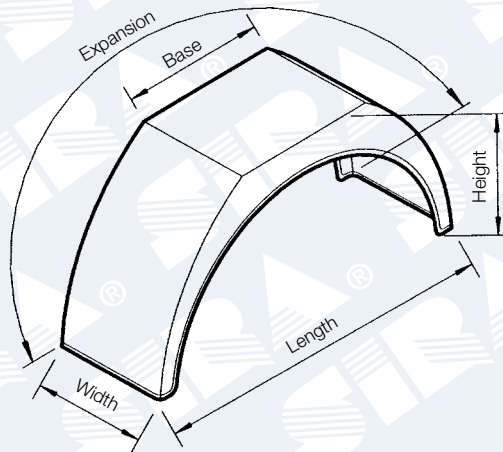
RECYCLABLE MATERIAL
ACCORDING TO EEC STANDARDS



<i>Development mm dimensions</i>	<i>width</i>	<i>Code article</i>
700	650	S 30022
800	450	S 30023
800	650	S 30025

Flat topped thermoplastic mud-guard

RECYCLABLE MATERIAL
ACCORDING TO EEC STANDARDS



<i>Development mm dimensions</i>	<i>width</i>	<i>length</i>	<i>base</i>	<i>height</i>	<i>Code article</i>
1500	285	915	390	480	S 30032
1390	420	900	390	470	S 30035
1390	450	900	390	470	S 30031

MUDGUARDS AND SUPPORTS FOR UNDER-CHASSIS

Thermoplastic flexspray mudflaps



S 50055

Kit mudflaps antispray

H = 450 mm

S 50056

Kit mudflaps antispray

H = 550 mm

S 50057

Kit mudflaps antispray

H = 650 mm

1 kit consists in 1 top part - 1 low part + screws

The three available sizes allow the application of antispray on any model of thermoplastic mudflap

Innovative thermoplastic mudflap, according to TUV-CEE law, in compliance of directive CEE 91/226 that imposed, from 01-01-2007, use of a mudflap system to apply on mudguards for all vehicles of total mass exceeding 70 quintals.

This article stands out for its lightness and ease of assembly.

The bottom part (more subject to damage), can be easily replaced by loosening screws without being necessary to remove the fender and the replacement of the entire mudflap.

MUDGUARDS AND SUPPORTS FOR UNDER-CHASSIS

Thermoplastic mudguard for P.V.C. pilot mudguard



S 30040

Antispray thermoplastic mudguard for **P.V.C. pilot mudguard**

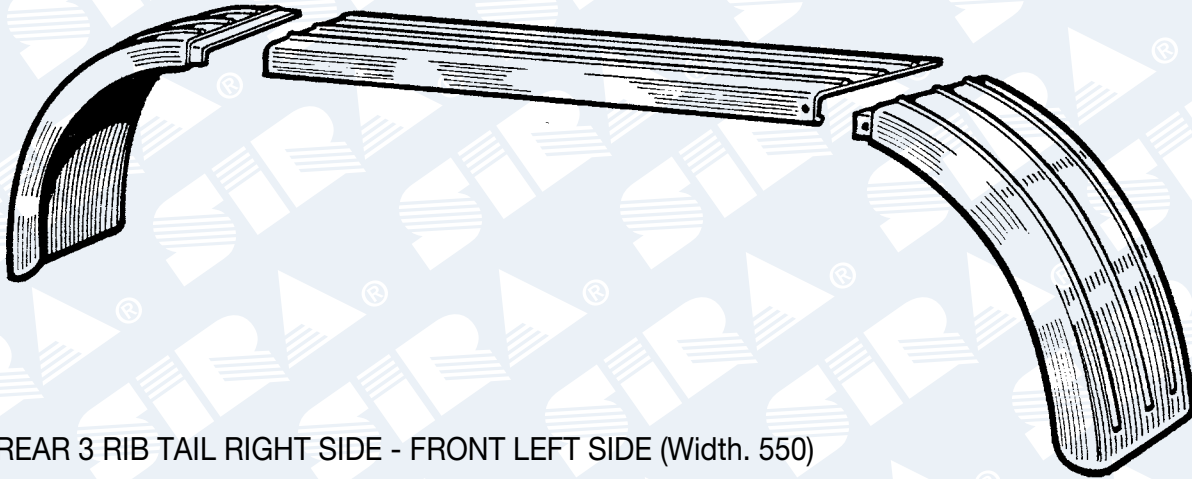


S 30041

Antispray thermoplastic mudflaps for mudguard

MUDGUARDS AND SUPPORTS FOR UNDER-CHASSIS

Fibreglass mudguard for tank mudguard



ART. **S 75105** REAR 3 RIB TAIL RIGHT SIDE - FRONT LEFT SIDE (Width. 550)

ART. **S 75106** REAR 3 RIB TAIL RIGHT SIDE - FRONT RIGHT SIDE (Width. 550)

ART. **S 75107** CENTRAL PLATFORM 3 RIBS RIGHT-LEFT 2680x550

ART. **S 75040** REAR 4 RIB TAIL RIGHT SIDE - FRONT LEFT SIDE (Width. 680)

ART. **S 75050** REAR 4 RIB TAIL RIGHT SIDE - FRONT RIGHT SIDE (Width. 680)

ART. **S 75090** CENTRAL PLATFORM 4 RIBS RIGHT-LEFT 2680x680

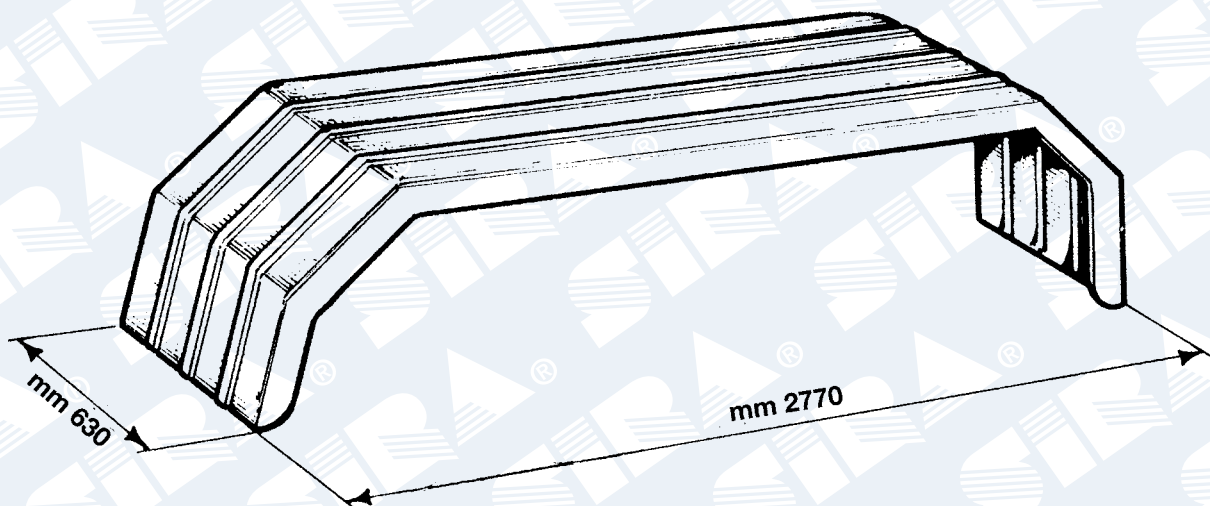
ART. **S 75102** CENTRAL PLATFORM 4 RIBS RIGHT-LEFT 3215x680



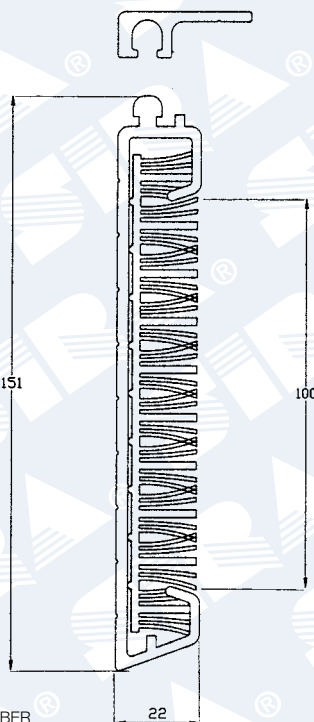
S 75100
S 75101

FRONT RIGHT PLATFORM 4 RIBS 3335X680
FRONT LEFT PLATFORM 4 RIBS 3335X680

MUDGUARDS AND SUPPORTS FOR UNDER-CHASSIS



S 15060 IRON CORNER MUDGUARD

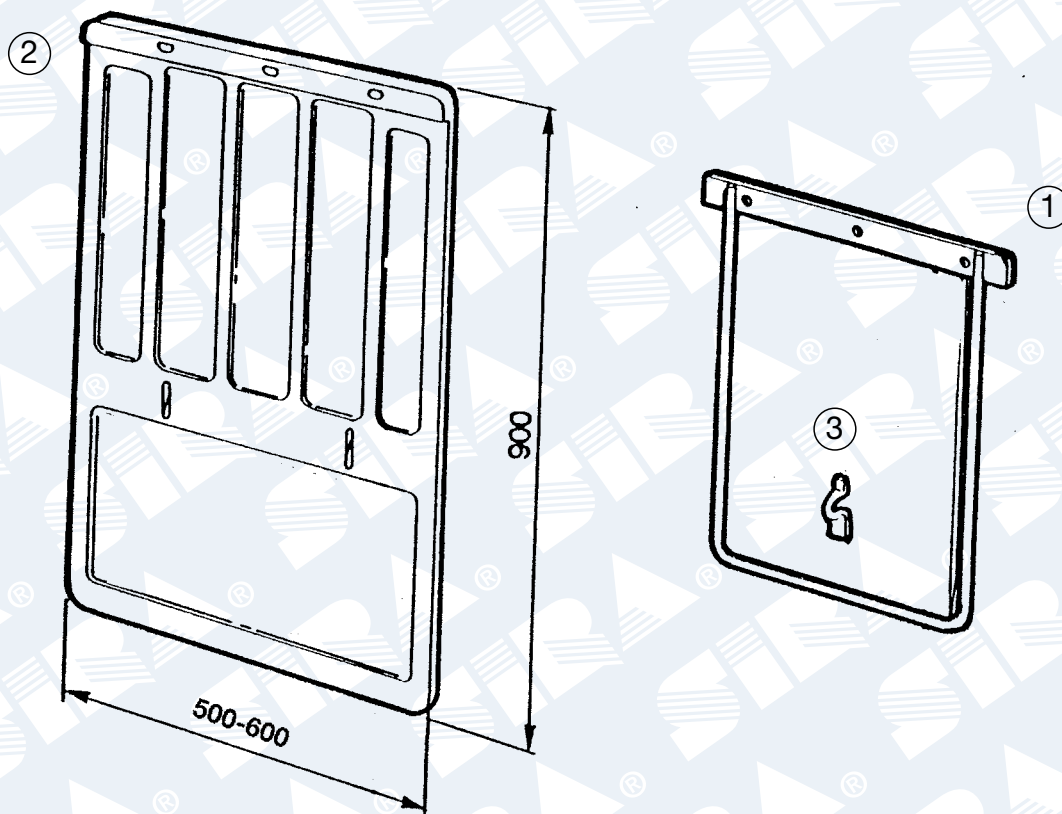


APPROVED NUMBER
e24 A 0001 00

F 65057 ANTISPRAY BLACK PROFILE EEC APPROVED WITH FIXING ALUMINIUM BAR.
CLIP LENGTH 3300 mm.

MUDGUARDS AND SUPPORTS FOR UNDER-CHASSIS

Trailer mudflaps



S 50049

① CHASSIS FOR MUDGUARD L. 500

S 50050

① CHASSIS FOR MUDGUARD L. 600

S 50051

② ANTITURBOLENCE RUBBER MUDGUARD 900 x 500 WITH FIXING CLIPS

S 50052

② ANTITURBOLENCE RUBBER MUDGUARD 900 x 600 WITH FIXING CLIPS

S 50053

③ SPARE PART CLIPS FOR FIXING MUDFLAP

MUDGUARDS AND SUPPORTS FOR UNDER-CHASSIS

Adjustable mudguard support - tube Ø 54 straight

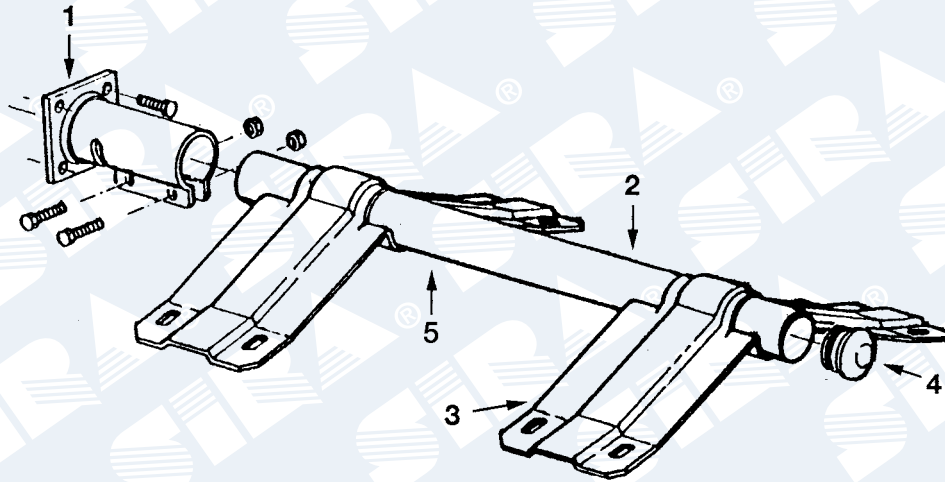


Figure n.	Article code	Description
1	S 70054	Raw junction for tube Ø 54 without flange
1	S 70067	Reinforced junction for tube Ø 54 zinc plated
1	S 70050	Junction for tube Ø 54 zinc plated
2	S 70030	Raw mudguard support Viberti's type Ø 54 complete with brackets
2	S 70040	Zinc-plated mudguard support Viberti's type Ø 54 complete with brackets
2	S 70031	Stainless steel mudguard support Viberti's type Ø 54 complete with brackets anti-reflex
2	S 70041	Stainless steel mudguard support Viberti's type Ø 54 complete with brackets smooth
3	S 70042	Spare part bracket for raw support
3	S 70048	Spare part bracket for zinc plated support
3	S 70046	Spare part bracket for anti-reflex stainless steel support
3	S 70043	Spare part bracket for smooth stainless steel support
4	S 70060	Support cup Ø 54 rubber made
4	S 70061	Support cup Ø 54 P.V.C. made
5	S 70034	Tube Ø 54x2 straight length. mm 750 raw
5	S 70039	Tube Ø 54x2 straight length. mm 750 zinc plated
5	S 70035	Tube Ø 54x2 straight length. mm 750 inox

MUDGUARDS AND SUPPORTS FOR UNDER-CHASSIS

Adjustable mudguard support - tube \varnothing 54 bent of 45°

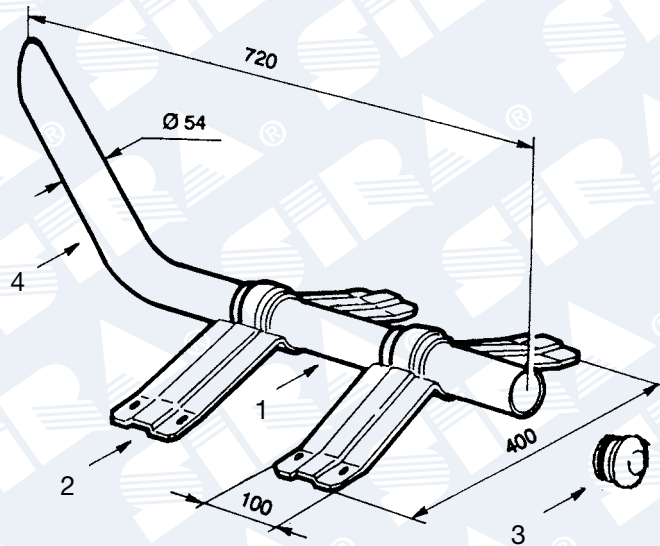
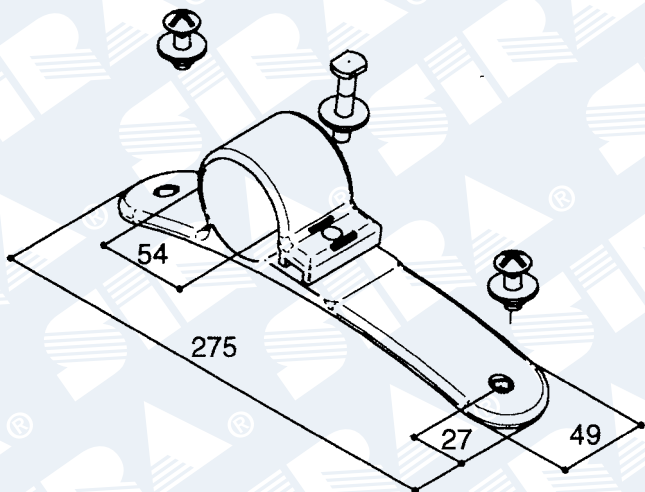
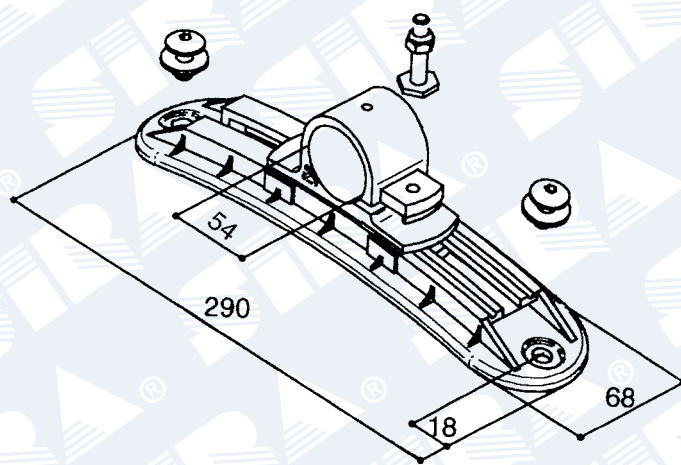


Figure n.	Article code	Description
1	S 70072	Bent raw mudguard support dm.54 complete with brackets
1	S 70073	Bent zinc-plated mudguard support dm.54 complete with brackets
1	S 70079	Stainless steel mudguard support dm.54 bent with smooth brackets
1	S 70074	Stainless steel mudguard support dm.54 bent with smooth anti-reflex brackets
2	S 70042	Spare part raw support
2	S 70048	Zinc-plated spare part support
2	S 70046	Spare part anti-reflex support in stainless steel
2	S 70043	Spare part smooth stainless steel support
3	S 70060	Support cup \varnothing 54 rubber made
3	S 70061	Support cup \varnothing 54 P.V.C. made
4	S 70037	Tube folded 45° \varnothing 54 x 2 raw
4	S 70038	Tube folded 45° \varnothing 54 x 2 zinc plated
4	S 70036	Tube folded 45° \varnothing 54 x 2 inox

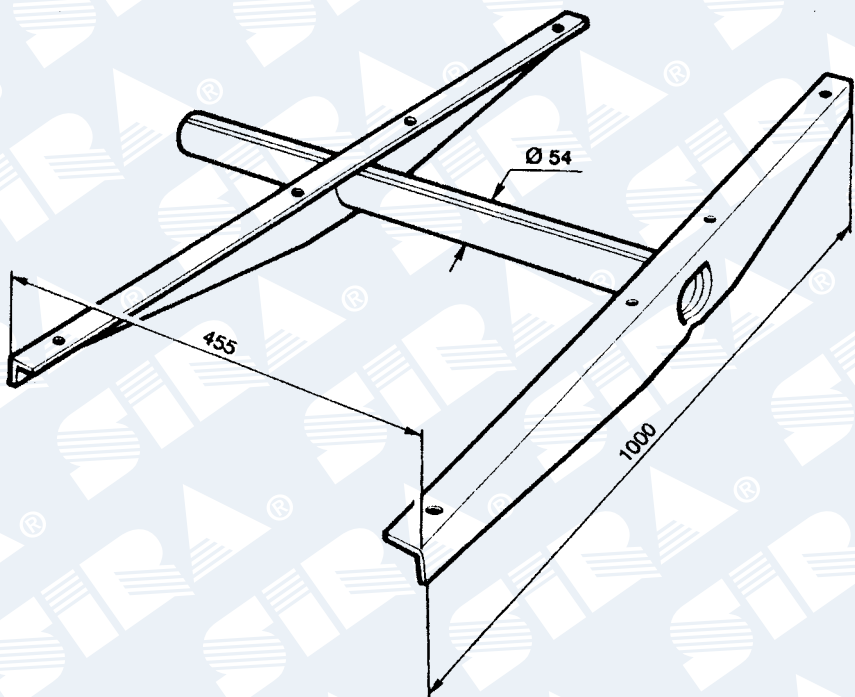
MUDGUARDS AND SUPPORTS FOR UNDER-CHASSIS



S 70044 Nylon bracket for tube Ø 54 mm



S 70066 Nylon adjustable bracket for tube Ø 54 mm



ZINC PLATED CENTRAL SUPPORT FOR MUDGUARD - DM. 54 - 3 AXLES

S 70052

RAW CENTRAL SUPPORT FOR MUDGUARD - DM. 54 - 3 AXLES

S 70047

MUDGUARDS AND SUPPORTS FOR UNDER-CHASSIS

Adjustable mudguard support - tube Ø 42 straight

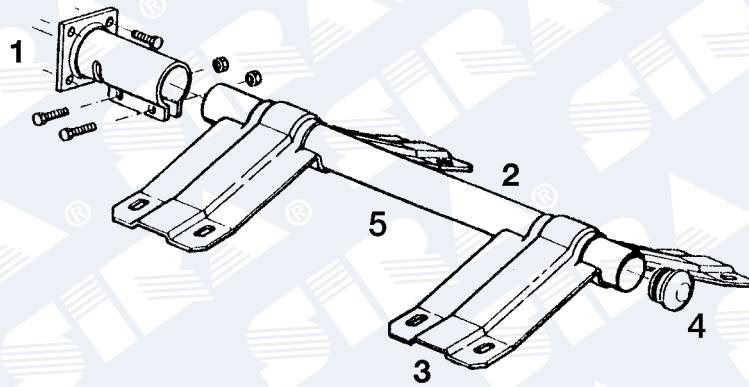
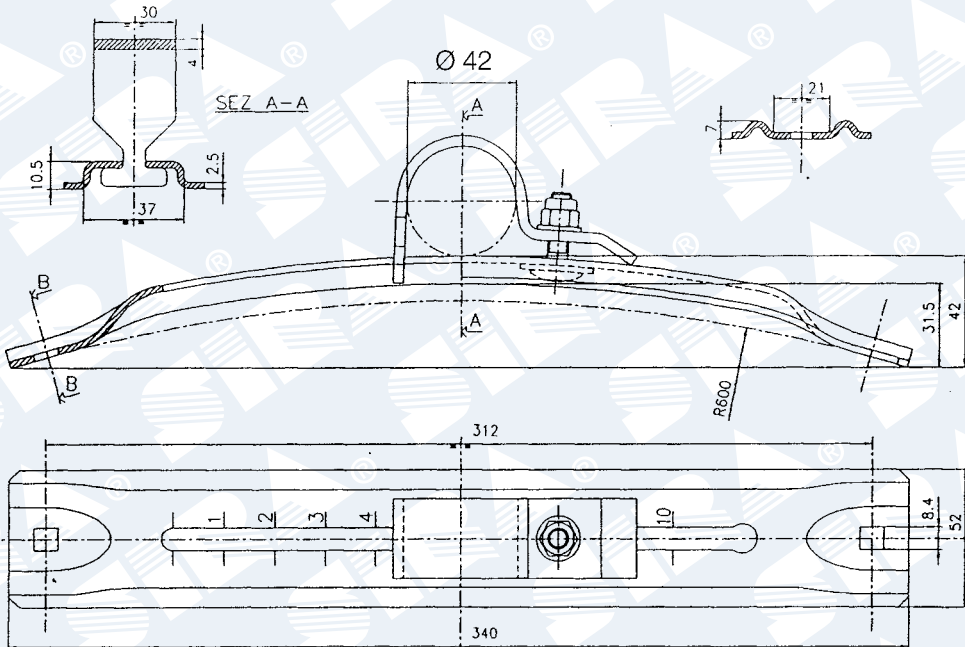


Figure n.	Article code	Description
1	S 70049	Zinc-plated junction for tube Ø 42
2	S 70056	Raw mudguard support - tube Ø 42 with brackets
2	S 70045	Zinc-plated mudguard support - tube Ø 42 with brackets
3	S 70064	Spare part bracket for raw support
3	S 70063	Spare part bracket for zinc plated support
3	S 70065	Nylon adjustable brackets Ø 42
-	S 70075	Spare part nylon eyelet for adjustable bracket Ø 42
4	S 70062	P.V.C. cup for support Ø 42
5	S 70057	Tube Ø 42 length mm 800 with zinc plated junction
5	S 70078	Tube Ø 42 length mm 750 with zinc plated reinforced junction



S 70055

Zinc-plated adjustable bracket for tube Ø 42 mm M

S 70058

Zinc-plated adjustable bracket for tube Ø 42 mm L

MUDGUARDS AND SUPPORTS FOR UNDER-CHASSIS



S 70068

Steel tube
black painted
Ø 42 x 3 x 580 mm

S 70076

Steel tube
black painted
Ø 42 x 3 x 730 mm



S 70069

Steel tube
black painted
Ø 42 x 3 x 580 mm

S 70077

Steel tube
black painted
Ø 42 x 3 x 730 mm



S 70065

Nylon adjustable
bracket Ø 42 mm



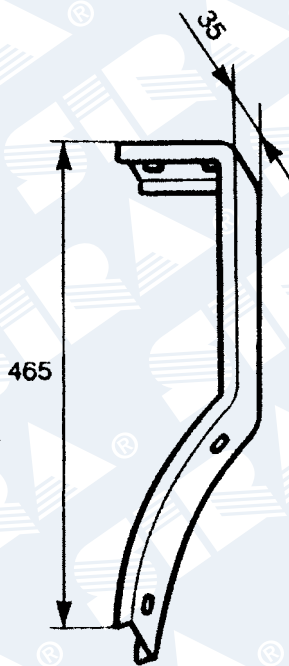
S 70062

P.V.C. cup
Ø 42 mm

S 70075

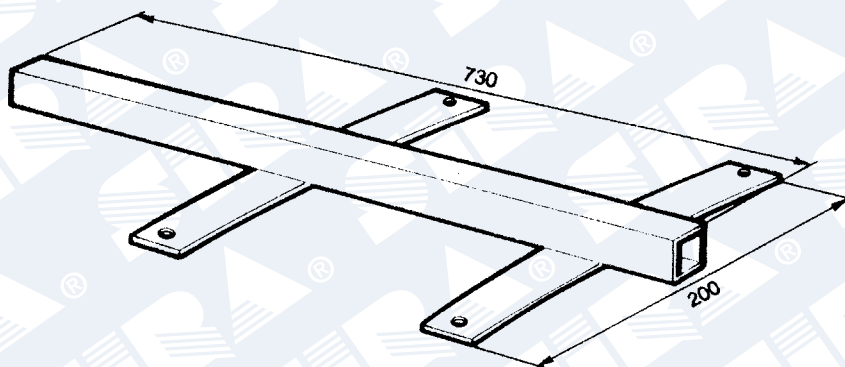
Spare part adjustable
nylon eyelet for bracket
Ø 42 mm

MUDGUARDS AND SUPPORTS FOR UNDER-CHASSIS



ZINC PLATED LIGHT BRACKET

S 70070



RAW SQUARED TUBULAR
MUDGUARD SUPPORT

S 70071