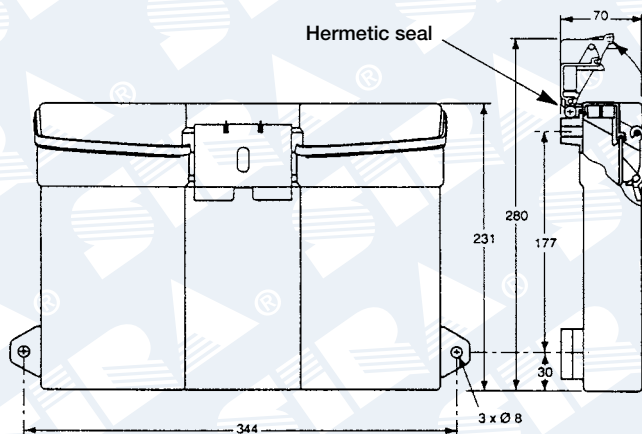
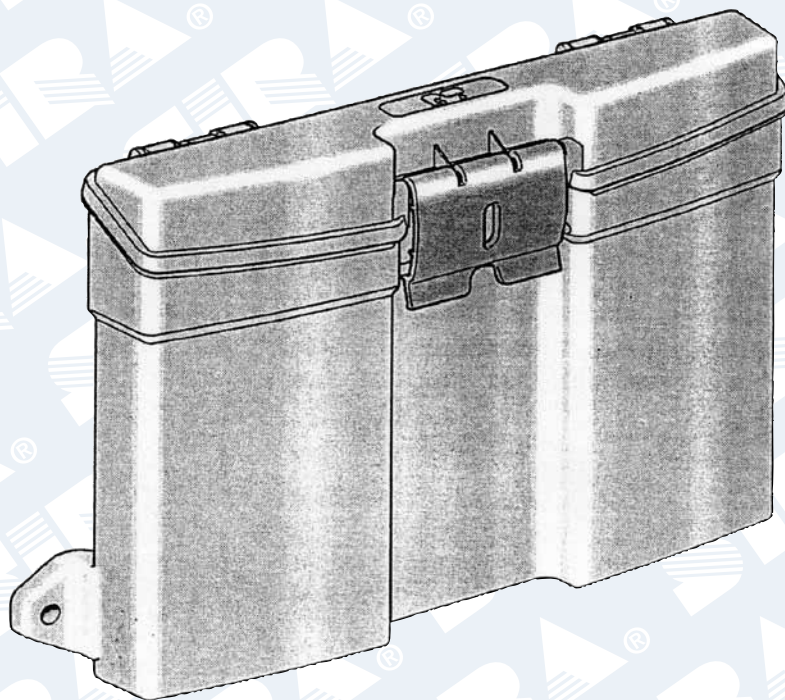


ITEMS FOR DIFFERENT APPLICATIONS

Documents box

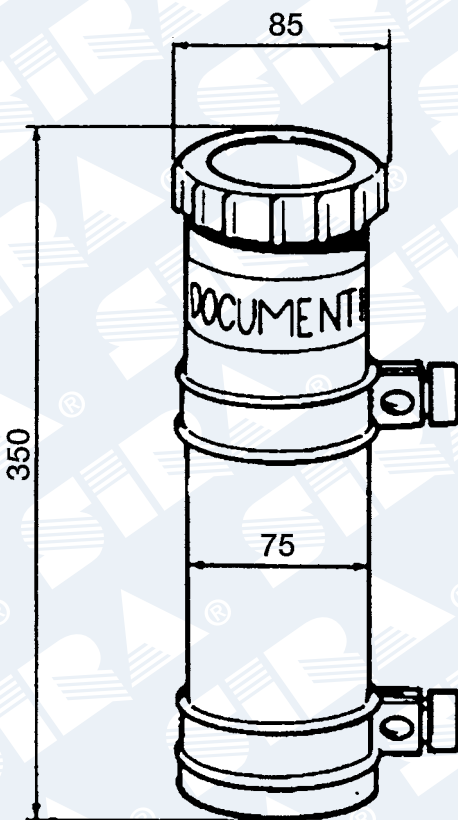


G 15599

P.V.C. horizontal documents box

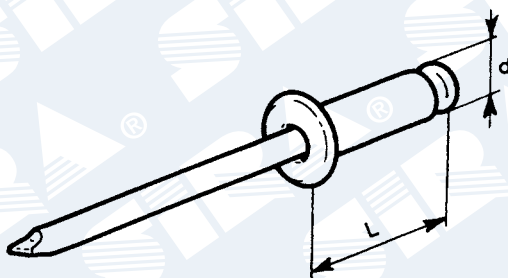
G 15594

P.V.C. documents box



ITEMS FOR DIFFERENT APPLICATIONS

Tearing rivets in aluminium with galvanized nail



DIMENSIONS mm

D	L	CODE	LARGE HEAD
3,2	10	019520	
3,2	12	019522	
3,4	10	019531	
4	14	019546	
4	9	019542	
4	10	019543	
4,8	10	019559	
4,8	10		019620
4,8	11	019560	
4,8	12	019561	
4,8	14	019562	
4,8	16	019563	
4,8	16		019623
4,8	18	019564	
4,8	20	019565	
4,8	20		019625
4,8	22	019566	
6	15	019578	
6	18	019579	
6	22	019580	
6	26	019581	
6	30	019582	
6,4	18	019589	

ITEMS FOR DIFFERENT APPLICATIONS

Screws



X 40080

Zinc-plated cylindrical screw head M 8x15

X 40070

Zinc-plated cylindrical screw head M 8x20

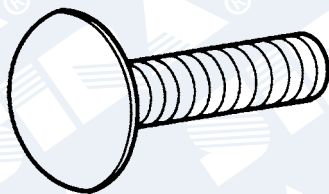


X 40090

Zinc-plated splay screw head M 8x16

X 40100

Zinc-plated splay screw head M 8x25



X 40040

Zinc-plated bolt head rounded for mudguard fixing M 8x25



X 40050

Zinc-plated self-drilling screw for wood ø 6,3x50

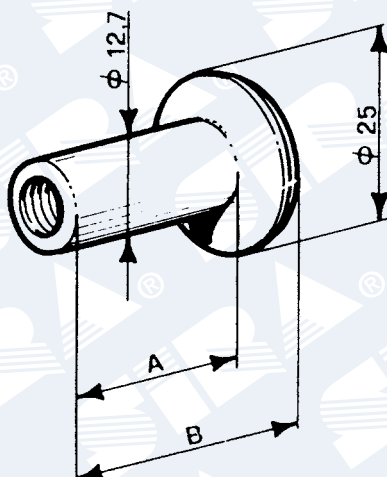
X 40060

Zinc-plated self-drilling screw for wood ø 6,3x60

X 40061

Zinc-plated self-drilling screw for wood ø 6,3x70

Inserts for aluminium profiles



DIMENSIONS mm

CODE	A	B	Material
X 40111	22	25	Aluminium
X 40121	27	30	Aluminium
X 40110	22	25	Zinc-plated steel

